

VOLTCRAFT

DATASHEET

Item No.: 2542818

Type designation: HR03 Common: AAA

Chemical system: Ni-Zn

Nominal voltage: 1.6 V

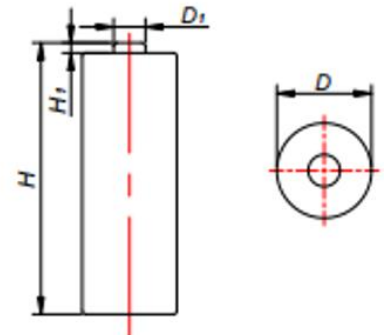
Weight: Approximate :11 g

Dimension (mm)

The dimensions shall be in accordance with the below figures both prior to and after the service output test.

Measuring equipment shall be with a minimum accuracy of $\pm 0.05\text{mm}$.

D	9.8~10.5mm
H	43.0~44.5mm
D1	$3.7\pm 0.2\text{mm}$
H1	$1.8\pm 0.3\text{mm}$



Capacity: 550 mAh (5.5 mA, 24 h/d, 20°C, e.v.= 1.0 V)

Operating temperature: -10 °C ~ 50 °C

Recommend storage temperature: $20\pm 2^\circ\text{C}$

Shelf lifetime: 5 Years