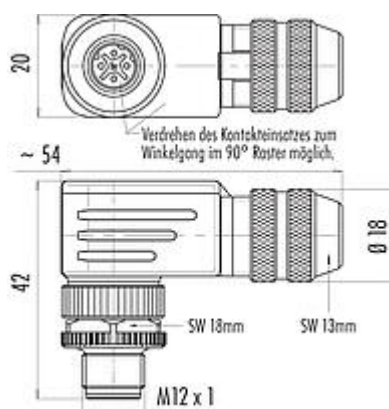


Product description	M12-D Male angled connector, Contacts: 4, 4.0 - 6.0 mm, shieldable, screw clamp, IP67
Area	M12-D series 825
Part no.	99 3729 815 04

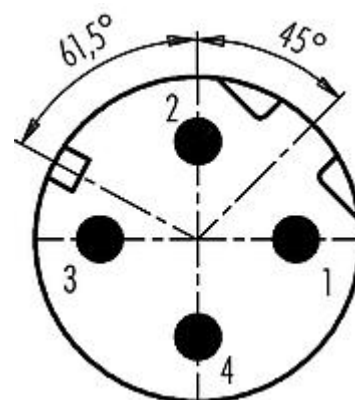
Illustration



Scale drawing



Contact arrangement (Plug-in side)



You can find the component part drawing and assembly instructions on the next page.

Technical data

General features

Part no.	99 3729 815 04
Connector design	Male angled connector
Version	male angled
Connector locking system	screw
Termination	screw clamp
Degree of protection	IP67
Cross-sectional area	max. 0.75 mm ² / AWG 18
Cable outlet	4.0 - 6.0 mm
Temperature range from/to	-40 °C / 85 °C
Mechanical operation	> 100 Mating cycles
Weight (g)	67.36
Customs tariff number	85369010

Electrical parameters

Rated voltage	250 V
Rated impulse voltage	2500 V
Rated current (40 °C)	4,0 A
Insulation resistance	≥ 10 ¹⁰ Ω
Pollution degree	3
Transmission rate	CAT 5

Product description	M12-D Male angled connector, Contacts: 4, 4.0 - 6.0 mm, shieldable, screw clamp, IP67
Area	M12-D series 825
Part no.	99 3729 815 04

Overvoltage category	II
Insulating material group	II
EMC compliance	shieldable
Shield connection	shielding ring
Voltage	1400 V DC

Material

Housing material	Zinc die-cast nickel-plated
Contact body material	PA
Contact material	CuSn (bronze)
Contact plating	Au (gold)
Locking material	Zinc die-cast nickel-plated
REACH SVHC	CAS 96-45-7 (Imidazolidine-2-thione) CAS 7439-92-1 (Lead)
SCIP number	88938a27-3807-4e62-b973-6cda22137b42

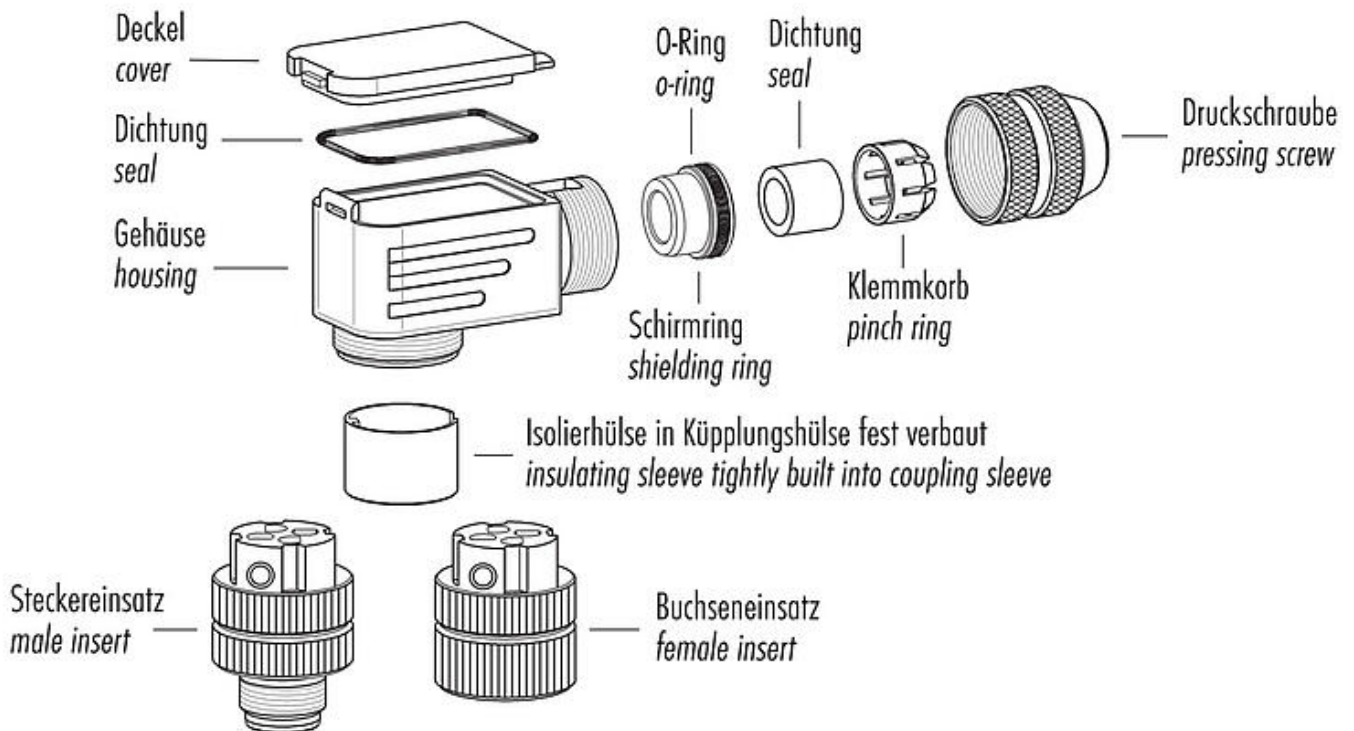
Classifications

eCl@ss 11.1	27-44-01-02
ETIM 7.0	EC002635

Product description M12-D Male angled connector, Contacts: 4, 4.0 - 6.0 mm, shieldable, screw clamp, IP67

Area M12-D series 825
Part no. 99 3729 815 04

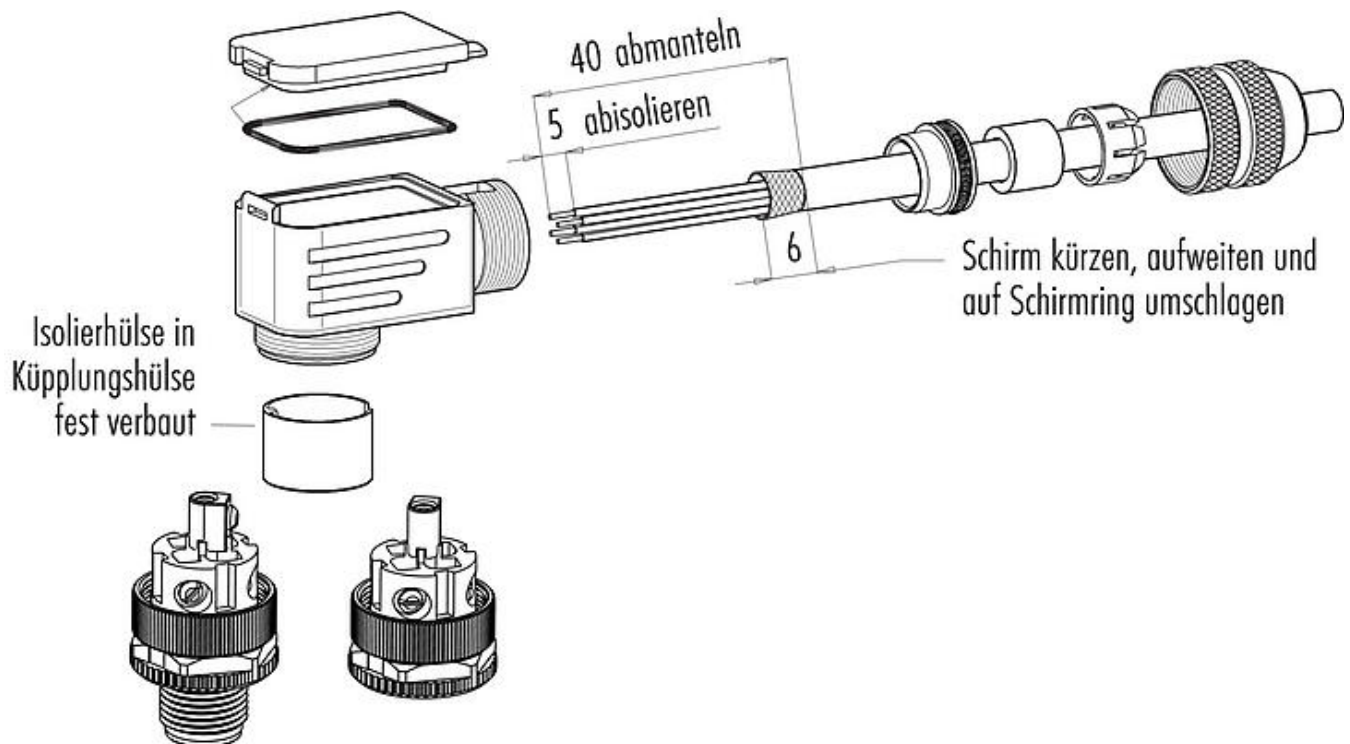
Component part drawing



Product description M12-D Male angled connector, Contacts: 4, 4.0 - 6.0 mm, shieldable, screw clamp, IP67

Area M12-D series 825
Part no. 99 3729 815 04

Assembly instructions



Product description	M12-D Male angled connector, Contacts: 4, 4.0 - 6.0 mm, shieldable, screw clamp, IP67
Area	M12-D series 825
Part no.	99 3729 815 04

General Disclaim Notice

The connectors have been developed for applications in plant engineering, control and electrical equipment construction. The user is responsible for checking whether the connectors can also be used in other areas of application.

Plug connectors with enclosure protection IP 67 and IP 68 are not suitable for use under water. When used outdoors, the plug connectors must be protected separately against corrosion. For further information on the IP protection classes, please refer to the "Technical Information" download centre.

To lock the cable connector with the device connector, the threaded ring is tightened "hand-tight" (approx. 50 cNm).