



system elektrotechnik Gotthold Keller GmbH • Postfach 1126 • D-71150 Nufringen

Datasheet Charge - SET

Electric vehicle charging cable (EVSE), Typ 2, IEC 62196-2
100 % MADE IN GERMANY



Charging plug- housing color	blue white
Application	For charging electric vehicles with type 2 vehicle-inlets.
Logo at charging plug	SET
Norm/policy	IEC 62196-2
Charging plug	Typ 2
Charging mode	Mode 3
Cable diameter	2,5 mm ² / 5,0 mm ²
Cable sheath color	blue
Cable length	5,0m 7,5m 9,5m

Environmental condition

Ambient temperature (operation)	-30°C up to +50°C
Ambient temperature (storage/transport)	-40°C up to +80°C
Max. altitude	5000m (above the sea level)
Protection class	IP55 (plugged)

Electrical properties

Charging power	3,6 - 22 kW
Number of phases	3 / 1
Number of performance contacts	5 (L1, L2, L3, N, PE) 3 L1, N, PE)
Power contacts rated current	20 A / 32 A
Power contacts rated voltage	400 V AC / 230V AC
Number of signal contacts	2 (CP, PP)
Signal contacts rated current	2 A
Signal contacts rated voltage	30 V AC
Note on the type of connection	Crimp connection, not seperable
Resistance coding	680 Ω / 220 Ω (between PE and PP) /

Mechanical properties

Mating cycles	>10000
Insertion force	<100 N
Pull force	<100N

ANSCHRIFT

system elektrotechnik
Gotthold Keller GmbH
Robert-Bosch-Strasse 5
D-71154 Nufringen

KONTAKT

+49 (0) 7032 / 96 81-0
+49 (0) 7032 / 96 81-20
info@set-de.com
www.set-de.com

RECHTLICHES

Registergericht Stuttgart
HRB 241379
GESCHÄFTSFÜHRER Tobias Müller
UST-IDNR DE145170397

BANKVERBINDUNGEN

Verenigte Volksbank eG
KTO 573 8630 08 BLZ 603 900 00
BIC/SWIFT GENO DE 51 BBV
IBAN DE46 6039 0000 0573 8630 08

Kreissparkasse Böblingen
KTO 161 758 8 BLZ 603 501 30
BIC/SWIFT BBKR DE 6B XXX
IBAN DE02 6035 0130 0001 6175 88

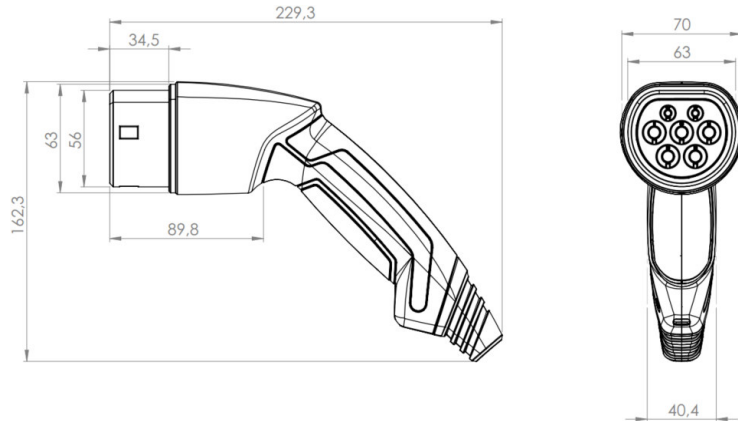


system elektrotechnik Gotthold Keller GmbH • Postfach 1126 • D-71150 Nufringen

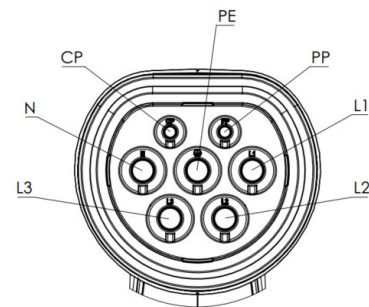
Datasheet Charge - SET

Vehicle coupling

Dimensional drawing



Schematic drawing

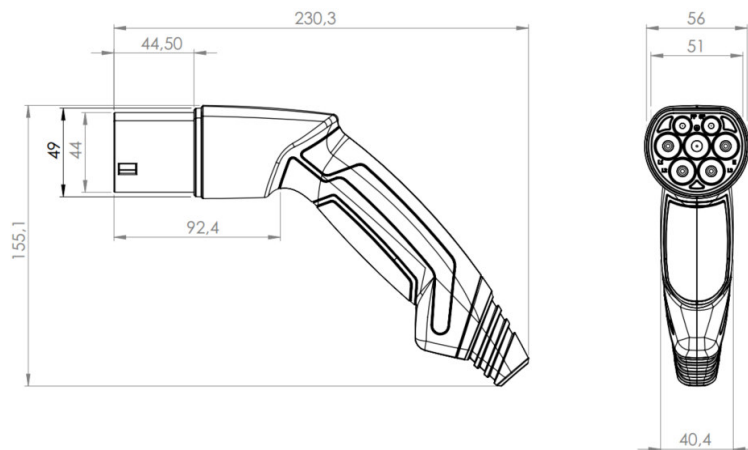


(1 : 1)

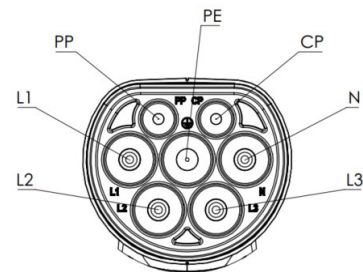
pin assignement vehicle coupling

Vehicle plug

Dimensional drawing



Schematic drawing



(1 : 1)

pin assignement vehicle plug

ANSCHRIFT

system elektrotechnik
Gotthold Keller GmbH
Robert-Bosch-Strasse 5
D-71154 Nufringen

KONTAKT

+49 (0) 7032 / 96 81-0
+49 (0) 7032 / 96 81-20
info@set-de.com
www.set-de.com

RECHTLICHES

Registergericht Stuttgart
HRB 241379
GESCHÄFTSFÜHRER Tobias Müller
UST-IDNR DE145170397

BANKVERBINDUNGEN

Vereinigte Volksbank eG
KTO 573 8630 08 BLZ 603 900 00
BIC/SWIFT GENO DE 51 BBV
IBAN DE46 6039 0000 0573 8630 08

Kreissparkasse Böblingen
KTO 161 758 8 BLZ 603 501 30
BIC/SWIFT BBKR DE 6B XXX
IBAN DE02 6035 0130 0001 6175 88