

**ENERGIZER E91**

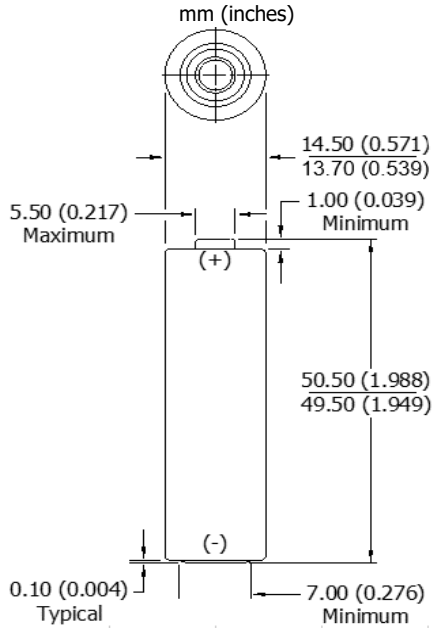


**AA**

**Specifications**

<b>Classification:</b>	Alkaline
<b>Chemical System:</b>	Zinc-Manganese Dioxide (Zn/MnO <sub>2</sub> ) No added mercury or cadmium
<b>Designation:</b>	ANSI-15A, IEC-LR6
<b>Nominal Voltage:</b>	1.5 volts
<b>Nominal IR:</b>	150 to 300 milliohms (fresh)
<b>Operating Temp:</b>	-18°C to 55°C (0°F to 130°F)
<b>Typical Weight:</b>	23.0 grams (0.8 oz.)
<b>Typical Volume:</b>	8.1 cubic centimeters (0.5 cubic inch)
<b>Jacket:</b>	Plastic Label
<b>Shelf Life:</b>	12 years at 21°C
<b>Terminal:</b>	Flat Contact

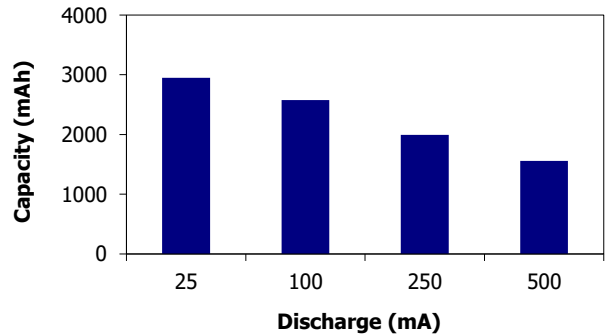
**Industry Standard Dimensions**



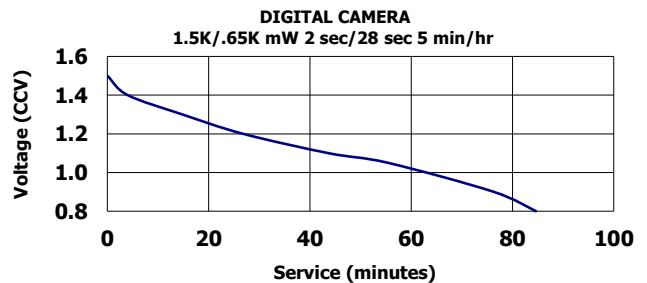
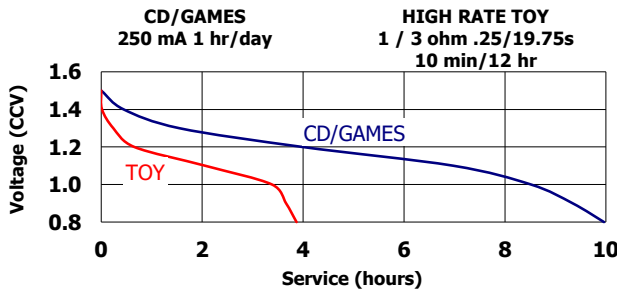
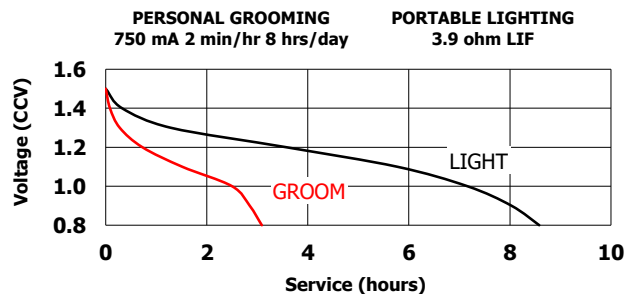
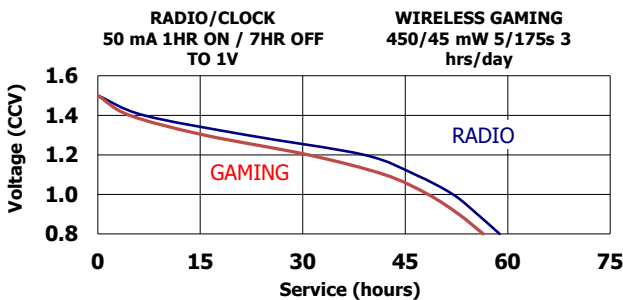
Cells are tested against ANSI-21 C18.1M.

**Milliamp-Hours Capacity**

Continuous discharge to 0.8 volts at 21°C



**Industry Standard Tests (21°C)**



**Important Notice**

This data sheet contains typical information specific to products manufactured at the time of its publication.  
**Contents herein do not constitute a warranty and are for reference only.**