

VOLTCRAFT

VOLTCRAFT - RELIABLE AND PRECISE. SINCE 1982.

For decades, our product range has been dynamically adapting to the constant changes in the industry. We commit to offering first-class quality to our customers while delivering an excellent cost-performance ratio. This philosophy remains the cornerstone of Voltcraft's success.

LITHIUM BATTERY 9000 MAH

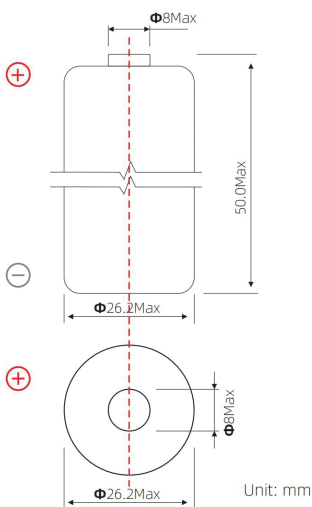


TECHNICAL DATA

Item No.:	2574831	3451152
Packaging	1 pc/set	10 pcs/set
Type	LiSOCl ₂ Lithium C size	
Classification	Non-rechargeable	
Nominal voltage	3.6 V	
Capacity	9000 mAh	
Max discharge current	150 mA (Continuity) 300 mA (Plus)	
Termination voltage	2.0 V	
CCV@330Ω	3.3 V	
Current	25 mA	
Operation conditions	-40 to +85 °C, ≤65% RH	
Storage conditions	10 to +25 °C, ≤65% RH	
Dimensions (H x Ø)	50 x 26.2 mm	
Weight (approx.)	58 g per piece	

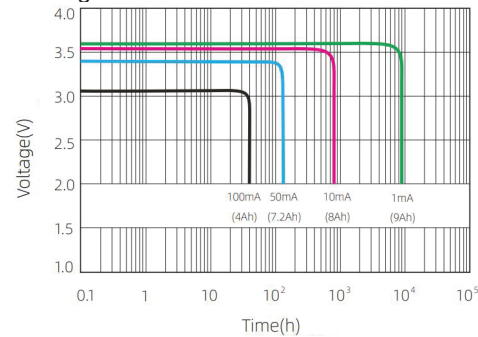
*For performance and safety, observe the operating / storage conditions.

DIMENSIONS AND WEIGHT

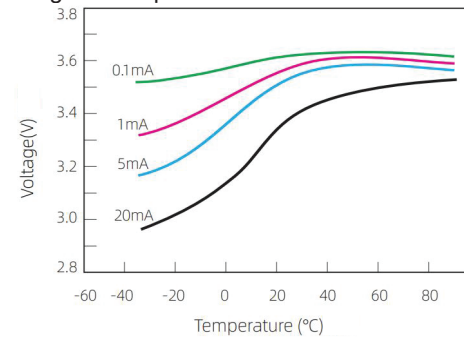


PERFORMANCE CHARACTERISTICS

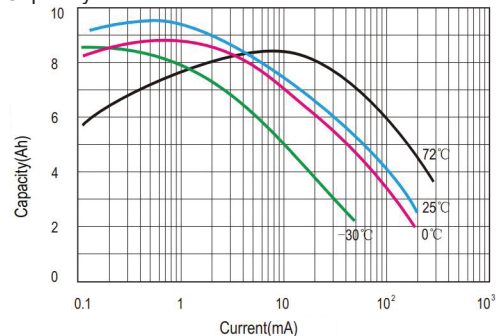
Discharge characteristic



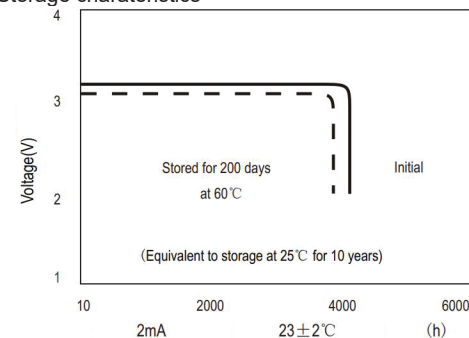
Voltage vs temperature



Capacity vs current



Storage characteristics



This is a publication by Conrad Electronic SE, Klaus-Conrad-Str. 1, D-92242 Hirschau (www.conrad.com). All rights including translation reserved. Reproduction by any method, e.g. photocopy, microfilming, or the capture in electronic data processing systems require the prior written approval by the editor. Reprinting, also in part, is prohibited. This publication represents the technical status at the time of printing.

Copyright 2026 by Conrad Electronic SE.*2574831_3451152_V1_0326_02_dm_ds_en