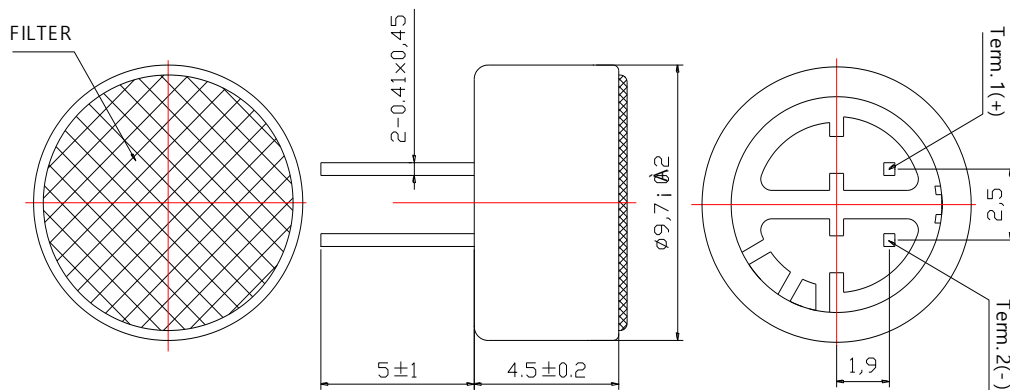


Data Sheet

Microphone capsule



1. Drawing (unit: mm)

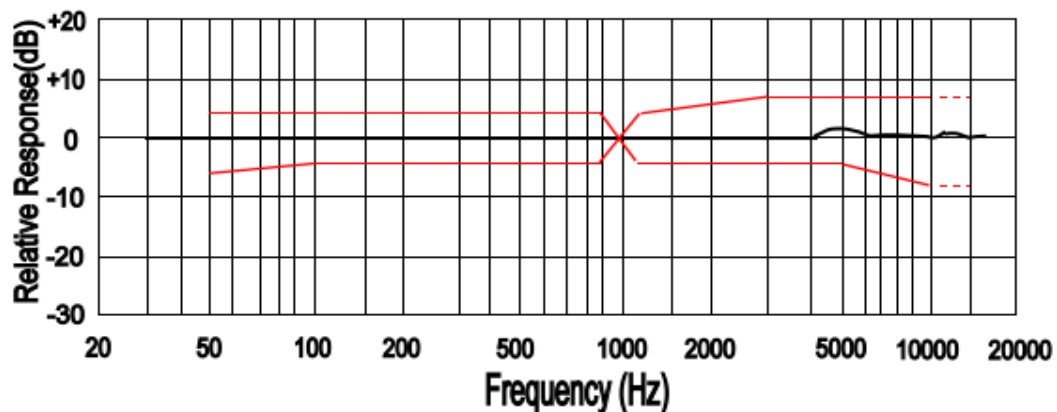


2. Typical frequency response curve (Far field)

Temperature: 20 ± 2 °C

Voltage: 4.5V (with 2.2K Ω series resistor 2.2K Ω)

Acoustic stimulus :1Pa (94Db SPL at 1 kHz) at 50cm from the loud-speaker.



Data Sheet

3. Technical data

NO	Parameter	Symbol	Condition	Limits			Unit
				Min.	Center	Max.	
1	Sensitivity	S	f=1KHZ,S.P.L=1Pa,0dB=1V/Pa	-44	-41	-38	dB
2	Output impedance	ZOUT	f= 1KHZ			2.2	K Ω
3	Current Consumption	IDDS	Vcc=4.5V , RL=2.2K Ω	150		500	μ A
4	Signal to Noise Ratio	S/N	f=1 KHZ , S.P.L=1Pa	60			dB
5	Decreasing Voltage	Δ S-VS	Vcc=4.5V to 3.0V			-3	dB
6	Operating Voltage			1		10	V
7	Maximum input S.P.L					110	dB
8	Frequency range			450 \pm 50			Hz
9	Storage temperature			-20 $^{\circ}$ C to +70 $^{\circ}$ C			
10	Operating temperature			-20 $^{\circ}$ C to +70 $^{\circ}$ C			