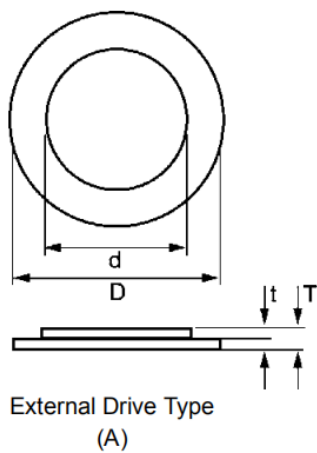


Data Sheet

Piezoceramic element



Drawing:



Dimensions

($\varnothing 23.4\text{mm}$, d : $\varnothing 22.5\text{mm}$, T : 0.43mm , t : 0.13mm)

Specifications

Resonant Frequency	5.0KHz $\pm 0.5\text{KHz}$
Max Resistance (Zr)	150 Ω
Capacitance	80000nF $\pm 30\% \text{nF}$