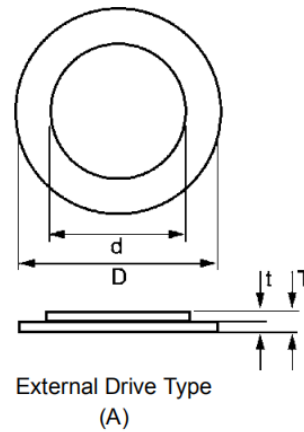


Data Sheet

Piezoceramic element



Dimensions

($\varnothing 35\text{mm}$, d : $\varnothing 25\text{mm}$, T : 0.55mm , t : 0.3mm)

Specifications

| | |
|--------------------------|------------------------------|
| Resonant Frequency | 2.6KHz $\pm 0.5\text{KHz}$ |
| Max Resistance (Z_r) | 300 Ω |
| Capacitance | 30000nF $\pm 30\% \text{nF}$ |