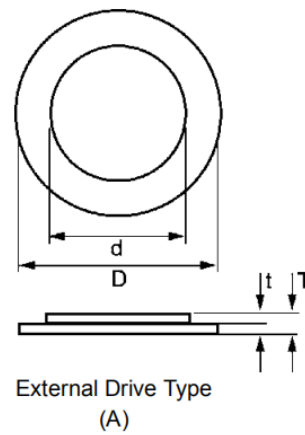


Data Sheet

Piezoceramic Element



Dimensions

($\varnothing 50\text{mm}$, d : $\varnothing 25\text{mm}$, T : 0.45mm , t : 0.22mm)

Specifications

Resonant Frequency	3.0 kHz ± 0.3 kHz
Max Resistance (Z_r)	300 Ω
Capacitance	35000nF $\pm 30\%$ nF