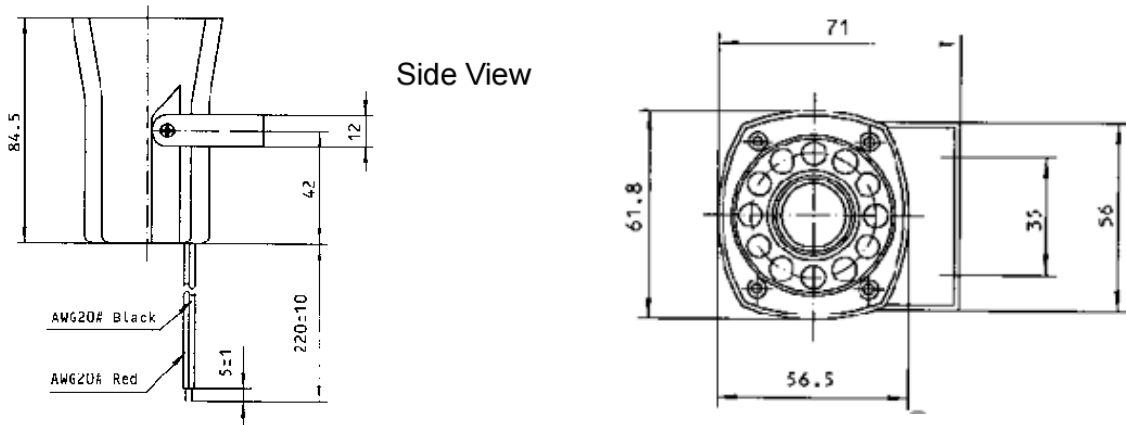


# Data Sheet

## Piezo signal transmitter 105dB



### 1. Drawing (unit: mm)



### 2. Technical data

	Parameter	Conditions	Limit		Unit
			Min.	Max.	
1	Operating Voltage		6	15	VDC
2	Rated Voltage			12	VDC
3	Max. current	12VDC		250	mA
4	Min. S.P.L	12vdc/100cm	105±2		dB
5	Resonant Frequency		1.5	3.5	kHz
6	Tone nature	Siren			
7	Weight		96.6		g
8	Storage temperature	-20°C ~ +70°C			
9	Operating temperature	-20°C ~ +70°C			