

*Thank You*

for purchasing **TotalMount**



## Our Story

Q

What do you get when a Stanford-educated engineer marries a National Merit Scholar with a passion for design?

A

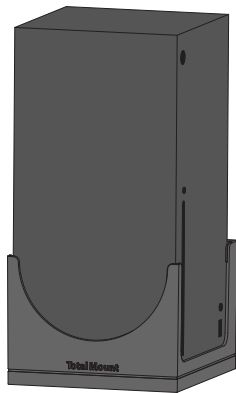
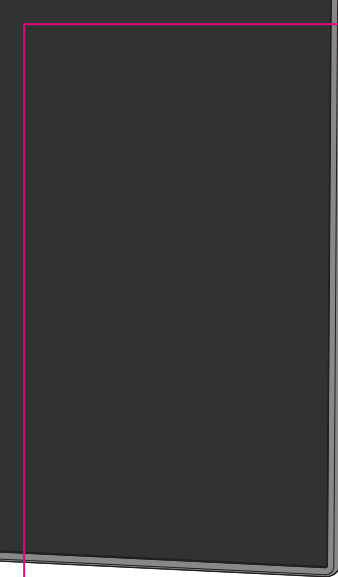
The trusted leader in electronics mounting.

# TotalMount<sup>®</sup>

Many people first learn about TotalMount products while shopping in Apple Stores. We focus exclusively on designing best-in-class mounts for electronics.

Since our founding in 2007, our passionate team has earned over 40 patents and has consistently delivered premium-quality mounts.





## Find a Mounting Location

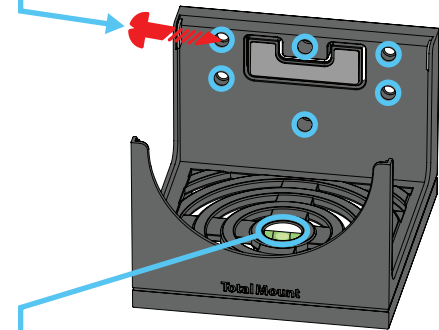
**Find a mounting location to the left or right of your TV.** (You can also mount the Xbox below your TV but more cable length will be visible.)

**The screws can be inserted into drywall without using a drill.** If you are mounting into wood or masonry, use the mount as a guide to pre-drill the holes using a 3/16 inch diameter drill bit.

**Warnings:** Wear proper eye protection when installing. Do not insert screws into a wall unless you are sure there are no pipes or wires in the mounting area (to avoid electrocution, fires, and flooding). Do not insert screws into a TV.

## Screw to a Wall Near Your TV

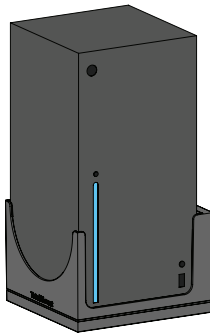
- 1 Insert a screw.** For maximum grip, stop spinning the screws as soon as they are fully inserted.



- 2 Move the mount until the bubble is between the lines,** and then insert screws through the rest of the screw holes.

## Slide Xbox Into TotalMount

- 3 Plug the power and HDMI cables into the Xbox** before inserting the Xbox into the TotalMount.
- 4 Gently slide the Xbox into the TotalMount** such that the cables exit the side of the TotalMount toward the TV.

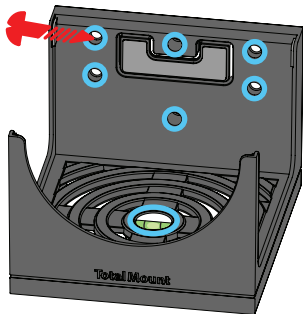


If the disc drive is blocked by the mount, remove the Xbox from the mount and rotate the Xbox.

## Instructions

Portez des lunettes de protection. Trouvez un emplacement de montage à gauche ou à droite de votre téléviseur.

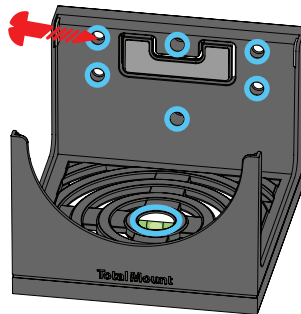
Insérez une vis. Déplacez le support jusqu'à ce que la bulle se trouve entre les lignes. Insérez les vis dans les autres trous. Placez la Xbox sur le support.



## Anweisungen

Tragen Sie eine Schutzbrille. Finden Sie eine Montageposition links oder rechts von Ihrem Fernseher.

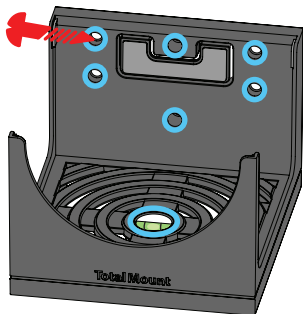
Drehen Sie eine Schraube durch eines der Löcher in die Wand. Bewegen Sie die Halterung, bis sich die Luftblase der Wasserwaage zwischen den Linien befindet. Befestigen Sie die anderen Schrauben durch die anderen Löcher. Setzen Sie die Xbox in die Halterung ein.



## Istruzioni

Utilizzare una protezione per gli occhi. Individuare un punto di montaggio a sinistra o a destra del televisore.

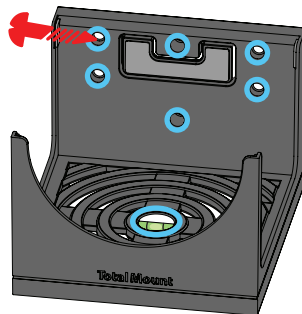
Inserire una vite. Spostare il supporto finché la bolla si posiziona fra le righe. Inserire le viti negli altri appositi fori. Posizionare la Xbox all'interno del supporto.



## Instrucciones

Utilice protección ocular. Busque un lugar de montaje a la izquierda o a la derecha de su televisor.

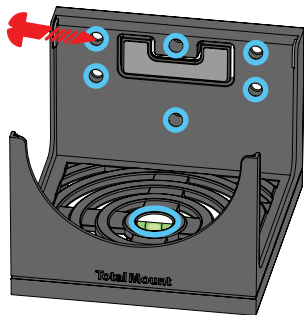
Inserte uno de los tornillos. Mueva el soporte hasta que la burbuja esté centrada entre las líneas. Inserte los otros tornillos en los orificios correspondientes. Coloque la Xbox en el soporte.



## 说明

戴上护目镜。在电视机左侧或右侧找到一个安装位置。

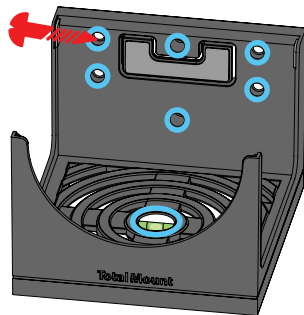
插入一个螺钉。移动支架，直到气泡位于线条之间。将剩余螺钉插入其他螺钉孔。将 Xbox 放在支架中。



## 取扱説明書

保護メガネを装着してください。テレビの左か右に取り付け場所を見つけてください。

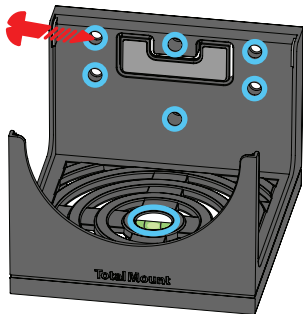
1本のネジを挿入します。泡が線の間に来るまでマウントを移動してください。別のネジ穴を通してネジを挿入してください。Xboxをマウントに設置してください。



## Instruções

Use proteção ocular. Encontre um local para posicionar a base ao lado esquerdo ou direito da sua televisão.

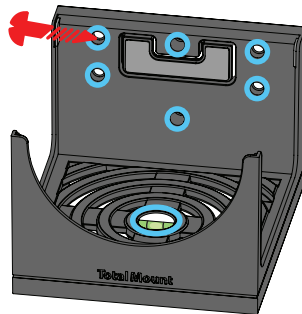
Insira um parafuso. Mova a base até o círculo central ficar entre as linhas. Insira os parafusos nos outros orifícios. Posicione o Xbox na base.



## Gebruiksaanwijzing

Draag oogbescherming. Zoek een montagelocatie aan de linker- of rechterkant van uw televisie.

Bevestig één schroef. Verplaats de standaard tot de bel zich tussen de lijnen bevindt. Steek de schroeven in de andere schroefgaten. Plaats de Xbox in de standaard.





## Ready to write a review?

We would greatly appreciate if you could take a minute to write a review with your favorite TotalMount retailer.

### Questions or concerns?

Please contact us directly at

[Listen@innovelis.com](mailto:Listen@innovelis.com)

Need a secure place to hold your controller, gaming console, media player, remote, router, or headphones?



See full product line

[TotalMount.com](https://TotalMount.com)