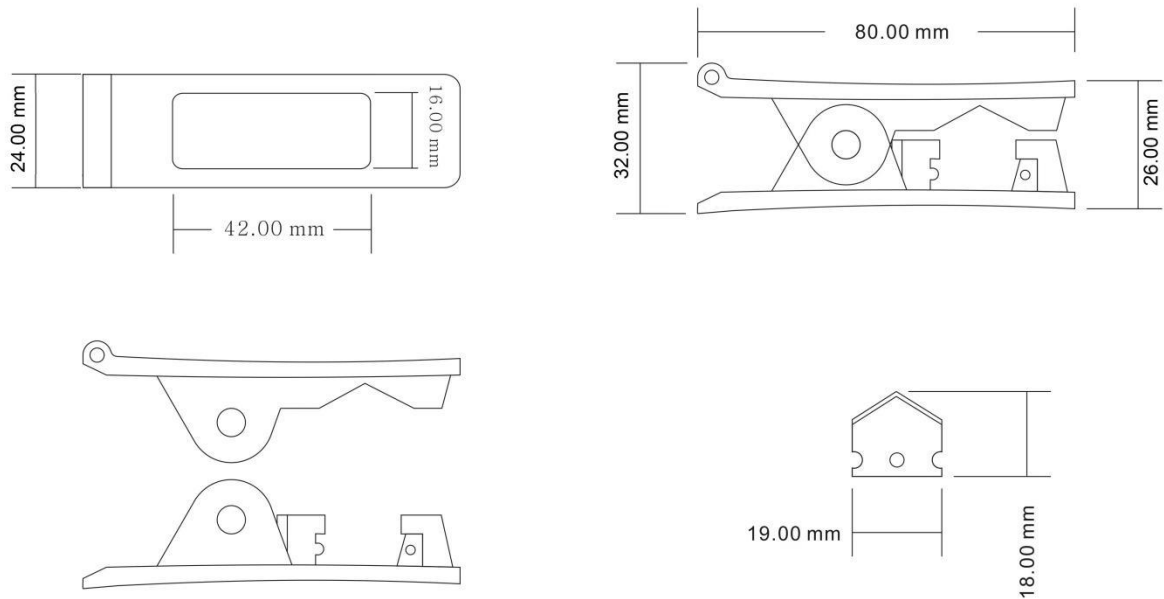


Data Sheet

TRU components hose cutter, black



Technical data

Material: ABS, stainless steel

Size: 80(L) x 24 (W) x 32 (H) mm

Weight: 26g

Operating temperature: -20°C to 60°C

Use: PU, PE, PA, PVC, PTFE and other plastics, outer diameter of tube smaller than 14 mm