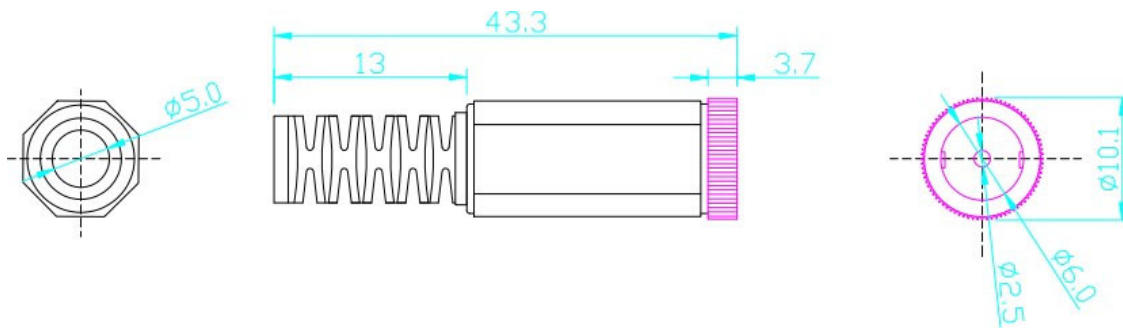


Data Sheet

Low power connector socket, straight 6.0 mm 2.5 mm



Drawing:



Technical data

Inside diameter: 6.0 mm

Pin diameter: 2.5 mm

Connector type: Socket, straight

Operating & Storage temperature: -25 °C ~ +85 °C

Operating & Storage humidity: 10% RH ~ 90% RH