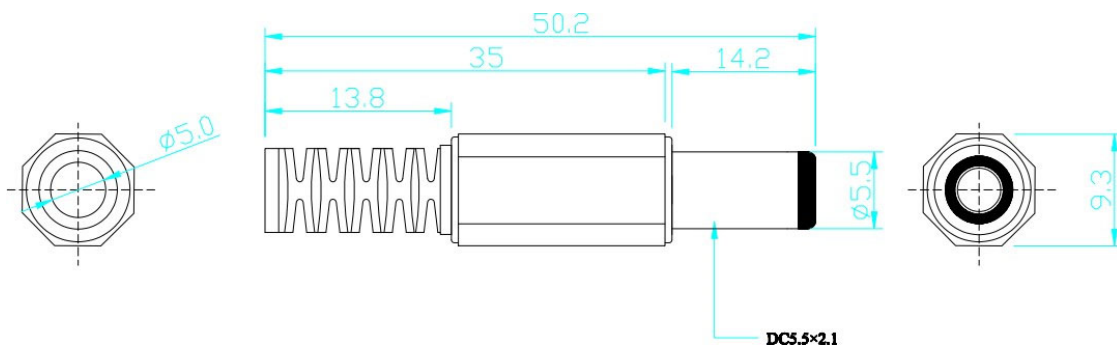


Data Sheet

Low power connector Plug, straight 5.5 mm 2.1 mm



Drawing:



Technical data

Inside diameter: 2.1 mm

Nominal voltage: 12 V DC

Outside diameter: 5.5 mm

Connector type: Plug, straight

Shaft length: 14.2 mm

Operating & Storage temperature: -25 °C ~ +85 °C

Operating & Storage humidity: 10% RH ~ 90% RH