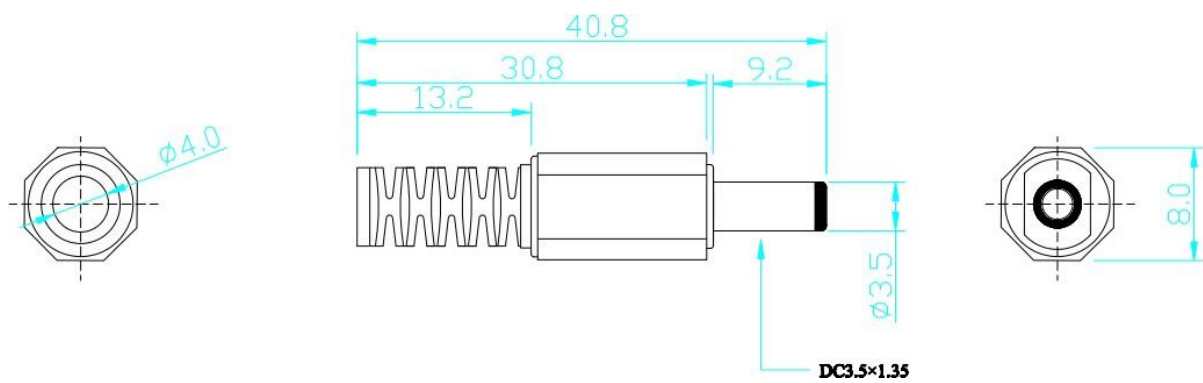


Data Sheet

Low power connector Plug, straight



Drawing:



Technical data

Inside diameter: 1.35 mm

Nominal voltage: 9 V DC

Outside diameter: 3.5 mm

Connector type: Plug, straight

Shaft length: 9.2 mm

Operating & Storage temperature: -25 °C ~ +85 °C

Operating & Storage humidity: 10% RH ~ 90% RH