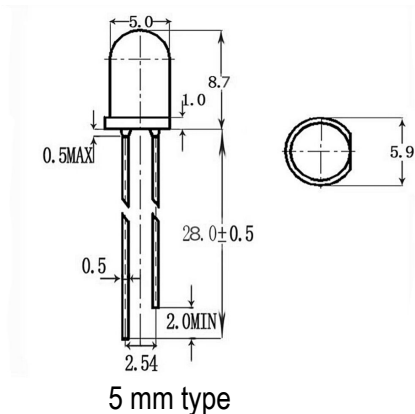
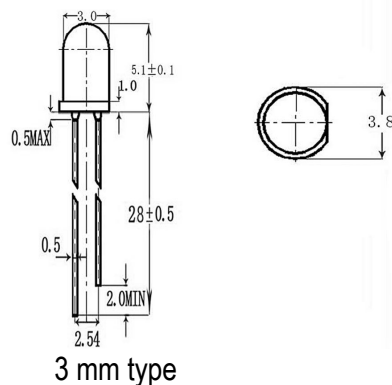


## Round LED 3 mm / 5 mm Diffused Package No.: 2111O161 ... 2111O172



This round LED is perfect for standard applications with semiconductor light. Please note that LEDs always need to be driven with current-limitation (pre-resistor or constant-current-source) to avoid any damages of the component. Anode = positive / Cathode = negative voltage. LEDs are not shock-sensitive and have a low power consumption.

**Technical data:** Viewing angle: 30° • Operating temp.: -25 ... +80°C • Reverse voltage: max. 5 V • Reverse current: max. 1.1 µA • Lead soldering temp. max. 270°C (5 s).

| Part No. | Diameter | Color        | Wavelength / Color temp. (typ) | Package-type | I <sub>F</sub> (typ) | U <sub>F</sub> (typ) | I <sub>v</sub> (typ) |
|----------|----------|--------------|--------------------------------|--------------|----------------------|----------------------|----------------------|
| 2111O161 | 3 mm     | White        | 8000 K                         | Diffused     | 20 mA                | 3.0 V                | 2500 mcd             |
| 2111O162 | 3 mm     | Blue         | 460 nm                         | Diffused     | 20 mA                | 3.0 V                | 1300 mcd             |
| 2111O163 | 3 mm     | Green        | 520 nm                         | Diffused     | 20 mA                | 3.0 V                | 2500 mcd             |
| 2111O164 | 3 mm     | Yellow/Green | 569 nm                         | Diffused     | 20 mA                | 2.0 V                | 700 mcd              |
| 2111O165 | 3 mm     | Yellow       | 590 nm                         | Diffused     | 20 mA                | 2.0 V                | 700 mcd              |
| 2111O166 | 3 mm     | Red          | 625 nm                         | Diffused     | 20 mA                | 2.0 V                | 700 mcd              |
| 2111O167 | 5 mm     | White        | 8000 K                         | Diffused     | 20 mA                | 3.0 V                | 2500 mcd             |
| 2111O168 | 5 mm     | Blue         | 460 nm                         | Diffused     | 20 mA                | 3.0 V                | 1300 mcd             |
| 2111O169 | 5 mm     | Green        | 520 nm                         | Diffused     | 20 mA                | 3.0 V                | 2500 mcd             |
| 2111O170 | 5 mm     | Yellow/Green | 569 nm                         | Diffused     | 20 mA                | 2.0 V                | 700 mcd              |
| 2111O171 | 5 mm     | Yellow       | 590 nm                         | Diffused     | 20 mA                | 2.0 V                | 700 mcd              |
| 2111O172 | 5 mm     | Red          | 625 nm                         | Diffused     | 20 mA                | 2.0 V                | 700 mcd              |