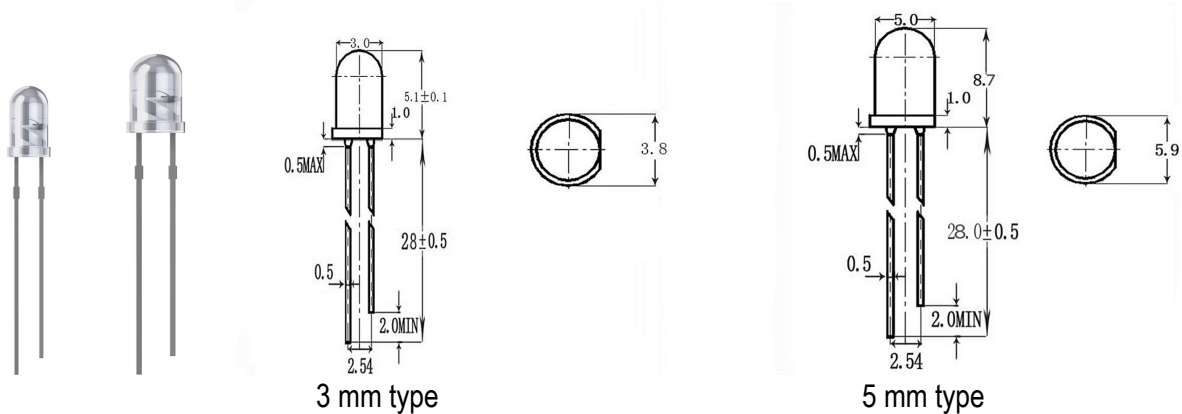


Round LED 3 mm / 5 mm Clear Package No.: 2111O173 ... 2111O182



This round LED is perfect for standard applications with semiconductor light. Please note that LEDs always need to be driven with current-limitation (pre-resistor or constant-current-source) to avoid any damages of the component. Anode = positive / Cathode = negative voltage. LEDs are not shock-sensitive and have a low power consumption.

Technical data: Viewing angle: 25° • Operating temp.: -25 ... +80°C • Reverse voltage: max. 5 V • Reverse current: max. 1.0 µA • Lead soldering temp. max. 270°C (5 s).

| Part No. | Diameter | Color | Wavelength / Color temp. (typ) | Package-type | I _F (typ) | U _F (typ) | I _v (typ) |
|----------|----------|--------|--------------------------------|--------------|----------------------|----------------------|----------------------|
| 2111O173 | 3 mm | Red | 625 nm | Clear | 20 mA | 2.0 V | 2500 mcd |
| 2111O174 | 3 mm | Yellow | 590 nm | Clear | 20 mA | 2.0 V | 2500 mcd |
| 2111O175 | 3 mm | Blue | 460 nm | Clear | 20 mA | 3.0 V | 2500 mcd |
| 2111O176 | 3 mm | Green | 520 nm | Clear | 20 mA | 3.0 V | 8000 mcd |
| 2111O177 | 3 mm | White | 8000 K | Clear | 20 mA | 3.0 V | 8000 mcd |
| 2111O178 | 5 mm | Red | 625 nm | Clear | 20 mA | 2.0 V | 2500 mcd |
| 2111O179 | 5 mm | Yellow | 590 nm | Clear | 20 mA | 2.0 V | 2500 mcd |
| 2111O180 | 5 mm | Blue | 460 nm | Clear | 20 mA | 3.0 V | 2500 mcd |
| 2111O181 | 5 mm | Green | 520 nm | Clear | 20 mA | 3.0 V | 19000 mcd |
| 2111O182 | 5 mm | White | 8000 K | Clear | 20 mA | 3.0 V | 15000 mcd |