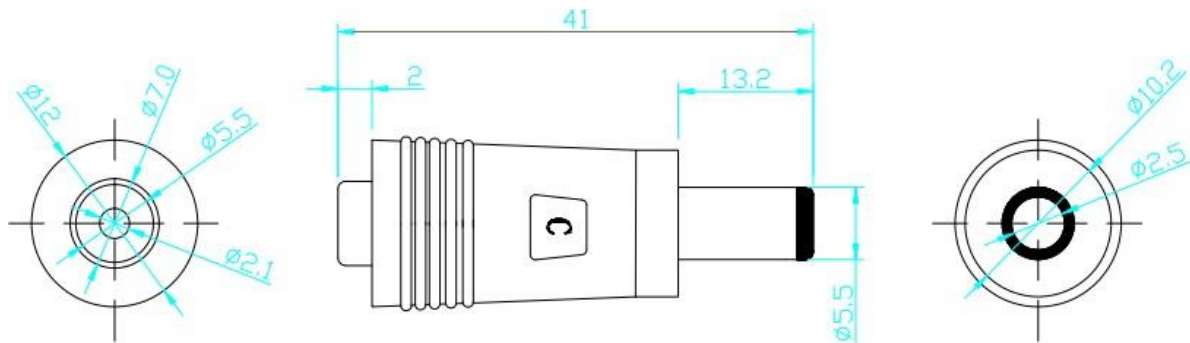


Data Sheet

Low power plug - Low power socket



Drawing:



Technical data

Type A: Low power plug

Outside \varnothing : 5.5 mm

Pin diameter: 2.1 mm

Type B: Low power socket

Inside diameter: 2.5 mm

Operating & Storage temperature: -25 °C ~ +85 °C

Operating & Storage humidity: 10% RH ~ 90% RH