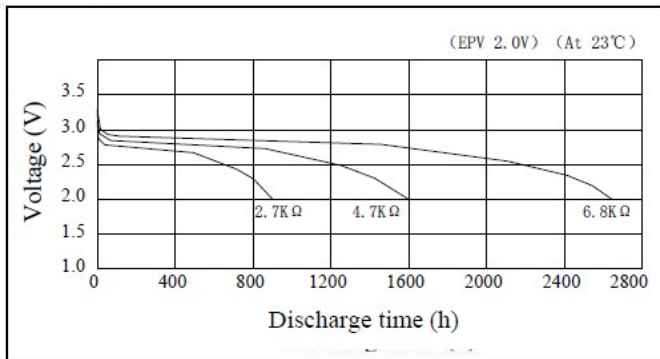


Description : Flat Lithium Battery
Chemical system : Lithium Manganese Dioxide
Nominal voltage : 3 Volts
Nominal capacity : 1000mAh
Dimensions : $\varnothing 24.5\text{mm} \times 7.7\text{mm}$
Shelf life : 10 years at room temperature
Average weight : 10.5 grams
Operation temperature : $-20^{\circ}\text{C} \sim 60^{\circ}\text{C}$
Storage temperature : $20 \pm 2^{\circ}\text{C}$

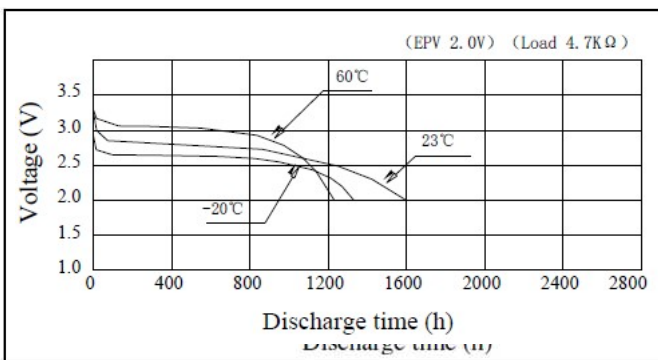
Cross References:

IEC	JIS	Panasonic	Varta
CR2477	CR2477	CR2477	CR2477

Discharge Characteristics



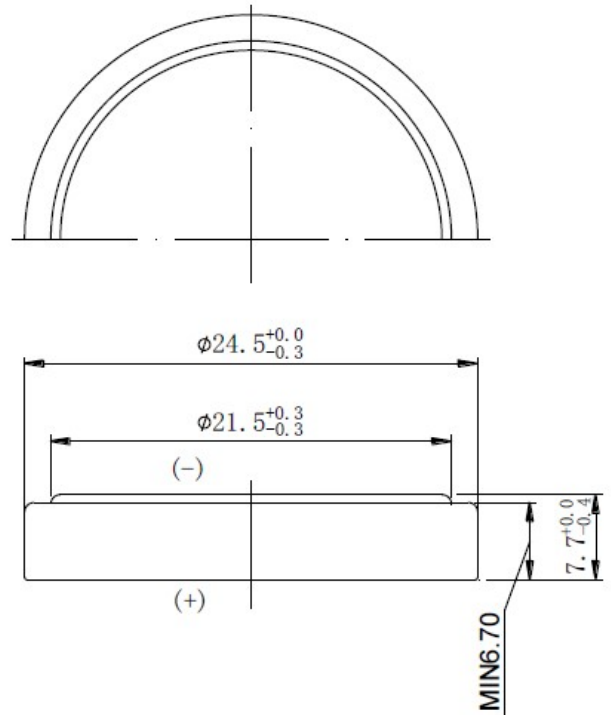
Discharge Characteristics on Temperature



gpbatteries.com

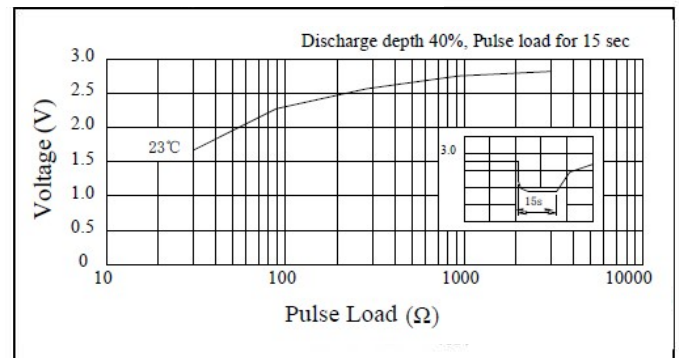
Manufacturer reserves the right to alter or amend the design, model and specification with out prior notice.
Copyright© GP Batteries International Limited - All rights reserved

Model No.: **CR2477**



Dimension Drawing

Pulse discharge characteristics



The information (subject to change without prior notice) contained in this document is for reference only and should not be used as a basis for product guarantee or warranty. For applications other than those described here, please consult your nearest GP Sales and Marketing Office or Distributors.