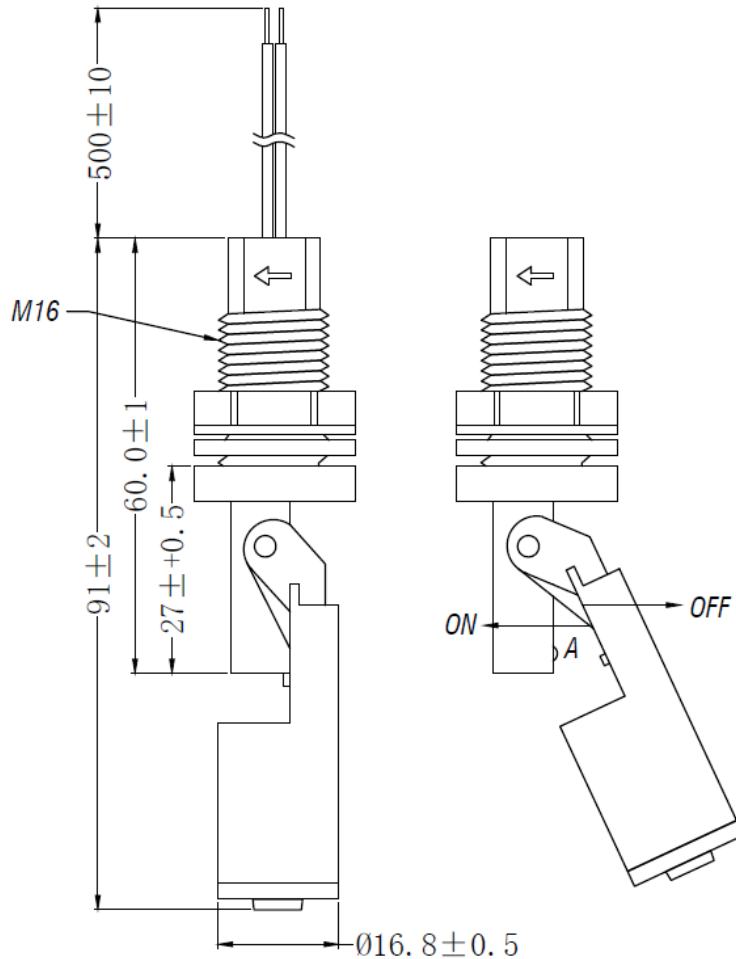


Data Sheet

Level Sensor



Notes:

Float ball move as the direction of arrow, when the angle is $8^\circ \leq A \leq 50^\circ$, the switch is from OFF to ON, and will be last till the $A=0$.

- Contact Form: A
- Max. contact rating: 50 W
- Max switching voltage: 250 V/AC
- Max switching current: 1.0 A
- Max. contact resistance: 100 mΩ
- Max shock: 150 g (1ms)
- Max vibration: 20 g (1-2000 Hz)
- Operating temperature: -30 – 90 °C
- Float body material: PP
- Float ball material: PP
- Wire: UL1007 AWG22 Black