

Data sheet

E-DAT Industry IP67 V6 AP, 1 port Cat.6_A - E-DAT modul

Page 1/7

P/N

1309410003-E

EAN 4250184106517

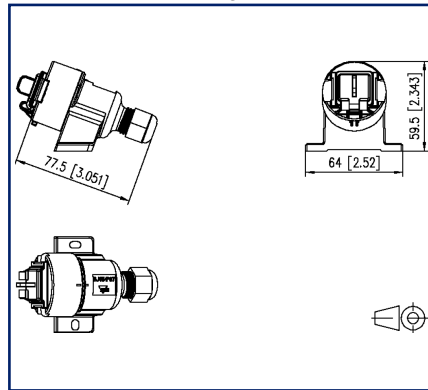
2021/11/11

Version: AD

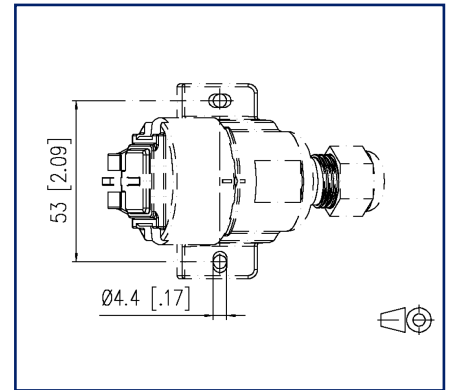
Illustrations



Dimensional drawing



Cut-out



See enlarged drawings at the end of document

Product specification

- RJ45 termination unit E-DAT modul in flange housing to ISO/IEC 24702 and IEC 61076-3-106 var. 6
- component testing for Cat.6_A to ISO/IEC 11801 Ed.2.2:2011-06, DIN EN 50173-1:2011-09, TIA/EIA-568-C.2 (2009-08) and IEC 60603-7-51 Ed.1 (12/2008), certified to GHMT
- compliance with class E to ISO/IEC 11801 Ed.2.2:2011-06, DIN EN 50173-1:2011-09
- suitable for 10 GBit Ethernet (IEEE 802.3an), Remote Powering (PoE, PoE plus, UPoE and 4PPoE) and HDBaseT
- easy to install connection of 2 to 4 pair data lines AWG 26/1 - 22/1 and stranded wires with 7 copper conductors AWG 26/7 - 22/7 to BTR 8-fold insulation displacement connectors (IDC)
- marking of conductor assignment to T568A or T568B
- complies with ingress protection IP67 when plugged in
- plug face pursuant to IEC 61076-3-106 (Variant 6)
- large 360° shield contact
- possible surface-mounting in series (AP)
- connection of RJ45 plugs available on the market (no IP protection)
- easy, time-saving mounting
- color: light gray RAL 7035

Technical Data

General Data

Fields of application

Office
Harsh environment

Design

wall outlet

Mounting style

surface mount

Shielding

shielded

Transmission technology

Copper

Wiring

T568A

Color protective housing

light gray

Dimensions

Dimension (L x W x H)

77.5 mm x 64 mm x 59.5 mm

Dimension (L x W x H)

3.051 in. x 2.52 in. x 2.343 in.

Transmission characteristics

Category (ISO)

6_A

Class (ISO/IEC)

E_A

Category (TIA)

6A

Remote Powering

yes

PoE

IEEE 802.3af

PoE plus

IEEE 802.3at

UPoE

yes

4PPoE

IEEE 802.3bt

HDBaseT

yes

Transmission rate up to 10 GBit

IEEE 802.3an

Connections/interfaces

Connector technology interface 1

IDC-connection

Connector technology interface 2

RJ45-jack

Number of ports interface 2

1

Number of ports interface 2 equipped

1

Number of positions/contacts interface 1

8

Number of positions/contacts interface 2

8P/8C

Protective housing interface 1

V6



Technical Data

Connections/interfaces

Protective housing interface 2	V6
Termination data, solid wire (min. - max.)	
Conductor cross section, solid wire	AWG 26/1 - AWG 22/1
Conductor cross section, solid wire	0.128 mm ² - 0.324 mm ²
Conductor diameter, solid wire (bare copper)	0.409 mm - 0.643 mm
Conductor diameter, solid wire (bare copper)	0.016 in. - 0.025 in.
Termination data, stranded wire (min. - max.)	
Conductor cross section, stranded wire	AWG 26/7 - AWG 22/7
Conductor cross section, stranded wire	0.141 mm ² - 0.355 mm ²
Conductor diameter, stranded wire (bare copper)	0.483 mm - 0.762 mm
Conductor diameter, stranded wire (bare copper)	0.019 in. - 0.03 in.

Elektrische/ Optische Eigenschaften

Current carrying capacity	max. 1 A
Rated voltage	max. 50 V
Contact resistance	max. 20 mOhm
Through resistance	max. 200 mOhm
Insulation resistance	min. 500 MOhm
Dielectric strength conductor-conductor (secondary)	min. 1000 V DC

Mechanical data

Insertion and withdrawal force	max. 30 N
Position/mounting of latch standard installation position	top

Materials and material properties

Material - Housing	GD-Zn (zinc die-cast)
Material - Protective housing	PA UL94 V0
Material - Contact	CuSn (tin bronze)
Material - Contact finish	Ni + Au (nickel-gold)
Material - Contact carriers	PA 6.6
Material - Finish of insulation displacement contacts	Sn (tin)
Material - Finish	Ni (nickel)
Material - Cable gland	PA (polyamide)
Material - Protective housing seal	NBR (nitrile butadiene rubber)

P | Cabling

Data sheet

Page 4/7

E-DAT Industry IP67 V6 AP, 1 port Cat.6_A - E-DAT modul

P/N

1309410003-E

EAN 4250184106517

2021/11/11

Version: AD

Technical Data

Materials and material properties

Material - Cap nut	PA (polyamide)
Material - Protective cap	PA UL94 V0
RoHS	compliant

Environmental conditions

Temperature (min. - max.)	
Temperature - Storage °C	-40 °C - 70 °C
Temperature - Storage °F	-40 °F - 158 °F
Temperature - Operating °C	-40 °C - 70 °C
Temperature - Operating °F	-40 °F - 158 °F
Particulate ingress	IP6X
Liquid ingress/immersion	IPX7
Rapid change of temperature	-40°C / -40°F - +70°C / 158°F / 25 cycles t=30 min
Electromagnetic measurement	E2

Certifications

GHMT Type Approval	Component
Approvals	
UL listed (file no.)	DUXR.E178484



The product meets the following standards

Generic cabling systems	
General requirements	ANSI/TIA-568
Industrial area	ISO/IEC 24702 DIN EN 50173-3 ANSI/TIA-1005



Technical Data

The product meets the following standards

Connectors for electronic equipment

Free and fixed connectors	DIN EN 60603-7-51:2011-01
---------------------------	---------------------------

Connectors for electronic equipment - Tests and measurements

Test standard for connectors (engaging and separating connectors under electrical load)	DIN-EN 60512-99-001, Pg. UEL1
---	-------------------------------

Endurance tests	IEC 60512-9-3: 03-2009
-----------------	------------------------

Degrees of Protection Provided by Enclosures	IEC 60529
--	-----------

Interference proof

Immunity for industrial environments	DIN EN 61000-6-2:2006-03
--------------------------------------	--------------------------

Climate tests	IEC 60512-11
---------------	--------------

Classifications

ETIM 5.0	EC002597
----------	----------

ETIM 6.0	EC002597
----------	----------

ETIM 7.0	EC002597
----------	----------

ETIM 8.0	EC002597
----------	----------

Packing details

Type of packaging	1 pc(s) / plastic bag
-------------------	-----------------------

Packaging unit - Weight (gram)	94 g
--------------------------------	------

Packaging unit - Weight (pound)	0.21 lb
---------------------------------	---------

Packaging dimension	160 mm x 100 mm x 380 mm
---------------------	--------------------------

Packaging dimension	6.299 in. x 3.937 in. x 14.961 in.
---------------------	------------------------------------

P | Cabling

Data sheet

Page 6/7

E-DAT Industry IP67 V6 AP, 1 port Cat.6_A - E-DAT modul

P/N

1309410003-E

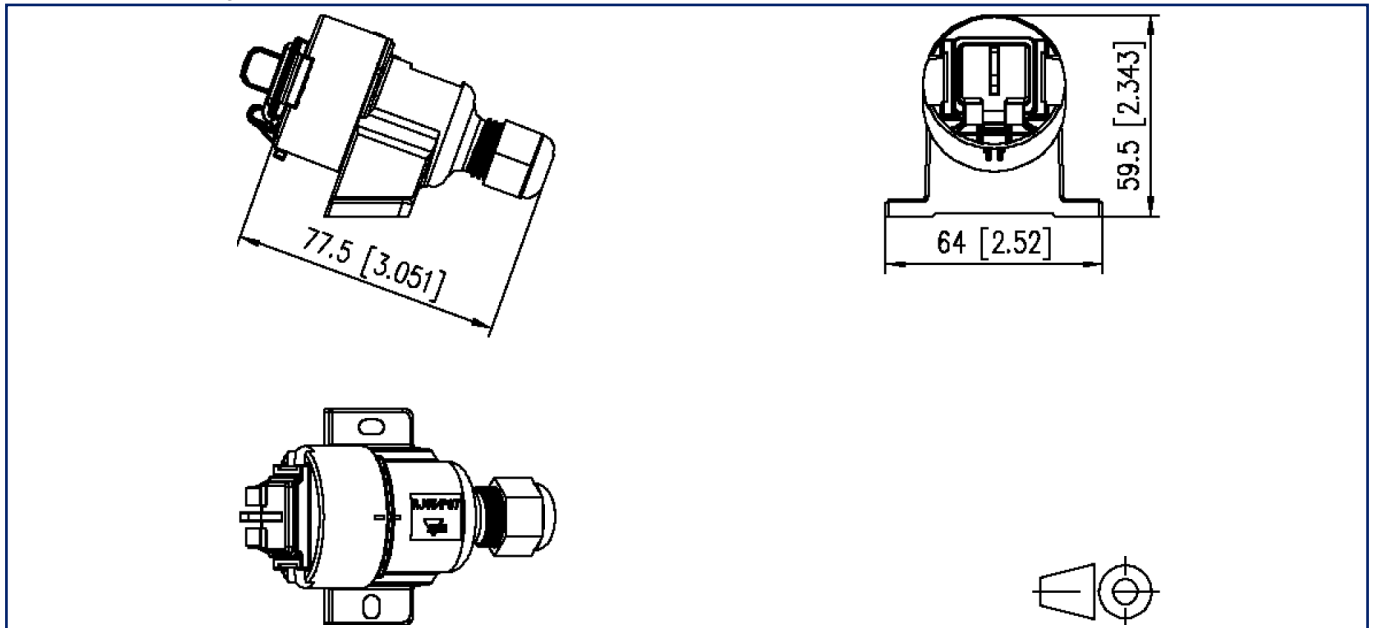
EAN 4250184106517

2021/11/11

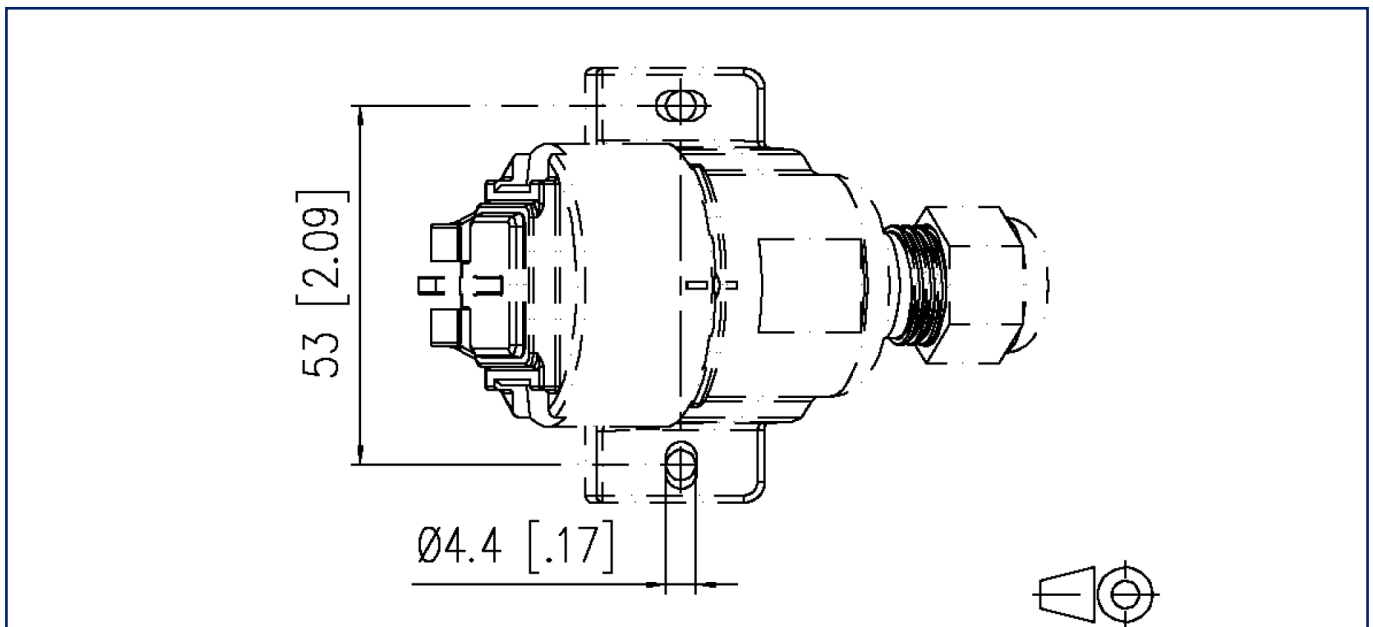
Version: AD

Illustrations

Dimensional drawing



Cut-out



P | Cabling

Data sheet

E-DAT Industry IP67 V6 AP, 1 port Cat.6_A - E-DAT modul

Page 7/7

P/N

1309410003-E

EAN 4250184106517

2021/11/11

Version: AD

Illustrations

Wiring diagram

