

Digital Potentiometer for
Motor Speed
Control Drivers

EPM-7790



- Operation at Adjustable Set Value
- Ramp Function
- Economical
- Easy to Use
- 4 Digits Display
- Easily adjustable set value from front panel
- Configurable display scale between -1999 and 9999
- Adjustable decimal point
- Set value low limit and set value high limit boundaries
- Adjustable ramp up and ramp down time
- Forward, Reverse direction outputs and error input for V/F Speed Controller
- 0/2...10Vdc Voltage output or 0/4...20mAadc Current output
(It must be determined in order.)
- Password protection for programming and adjustment sections

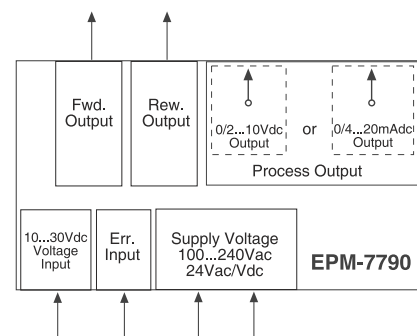
Specifications

Input

Digital Input: Error Input (Max. 3mA@30Vdc)
Resolution: 12 bits
Fluctuation: Max. 30 mV
Scale: Configurable between -1999 and 9999

Output

Analogue Output:
0/2...10Vdc Voltage Output (Max. 10mA) or
0/4...20mAadc Current Output
Digital Outputs:
Forward Output (Max. 5mA@30Vdc)
Reverse Output (Max. 5mA@30Vdc)



Supply Voltage

100...240Vac (+15%; -10%) 50/60 Hz -2VA
24Vac/dc (+15%; -10%) 50/60 Hz -2VA
(It must be determined in order)

Dimensions

EPM-7790, 72x72 mm, Depth : 95.5 mm