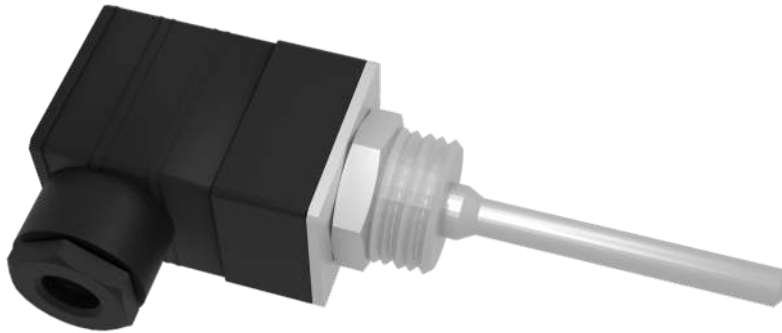
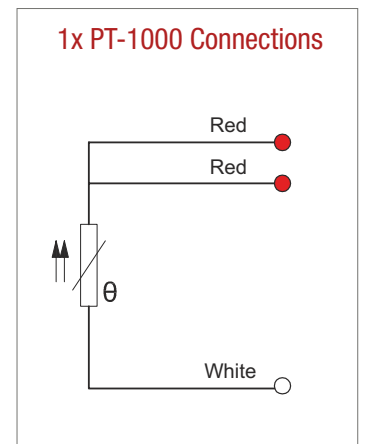
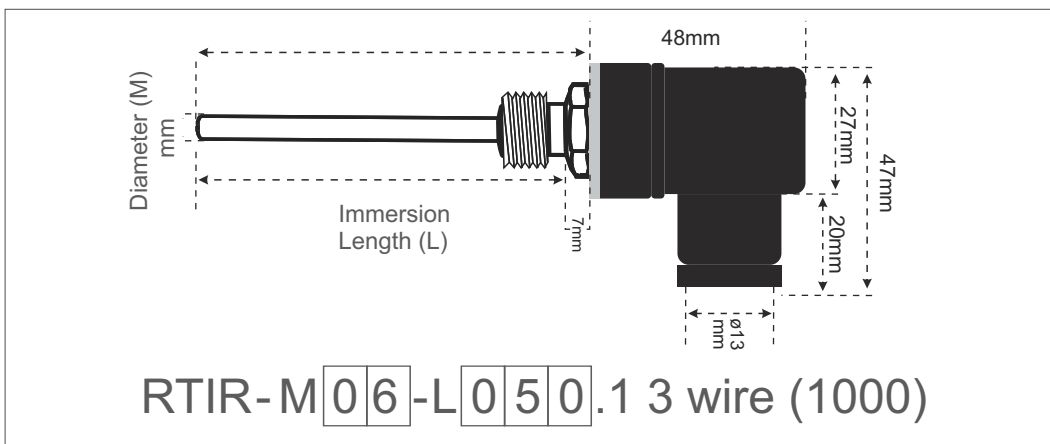


► (RTIR) Bayonet Valve Type with Fittingnut  
RTIR-M06-L050.1 3 wire (1000)



Max. operating temperature : -50 °C / +200 °C  
Sensor type : DIN/EN60751 Class "B" 1xPT-1000  
Protection tube material : AISI304 (DIN1.4301) Stainless Steel

► Technical drawing



Diameter (M) : 6 mm  
Immersion Length (L) : 50 mm