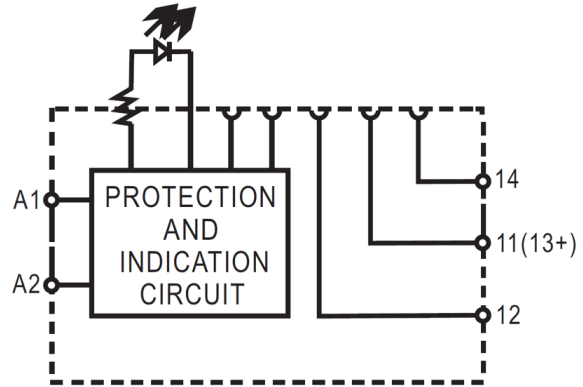
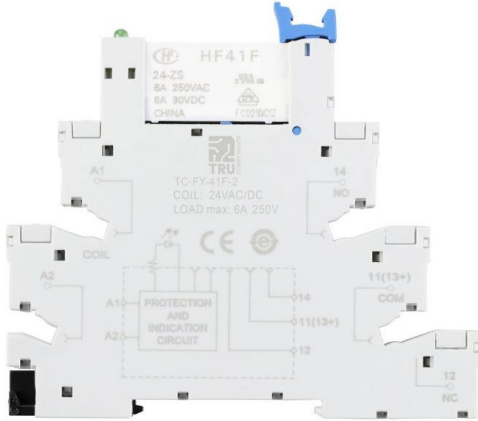


Data Sheet

PLC ultra-thin relay socket



Specifications:

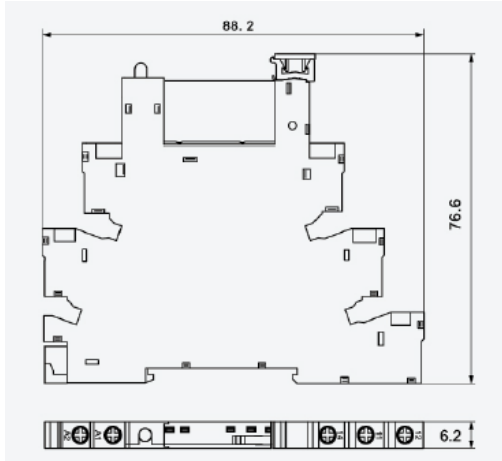
Item No.	2612238	2612239	2612240	2612745	2612746
Model no.	TC-FY-41F-2 24V	TC-FY-41F-2 230V	TC-FY-41F-3 24V	TC-FY-41F-2 12V	TC-FY-41F-3 12V
Size (mm)	88.2 x 6.2 x 76.6	88.2 x 6.2 x 76.6	97.5 x 6.2 x 77.5	88.2 x 6.2 x 76.6	97.5 x 6.2 x 77.5
Input voltage	24 V DC/AC	230 V AC	24 V DC/AC	12 V DC/AC	12 V DC/AC
Max. input voltage	36 V DC/AC	265 V AC	36 V DC/AC	18 V DC/AC	18 V DC/AC
Rated output voltage	≤250VAC/30VDC				
Rated output current	6 A				
Resetting voltage	≤ 5.5 V	≤ 85 V	≤ 5.5 V	≤ 4.5 V	≤ 4.5 V
Power consumption	0.32 W				
Output contact	AgSnO2				
Contact type	1 NO, 1 NC				
contact load	6 A 250 V AC/6 A 30 V DC				
Max transfer voltage	400 V AC/300 V DC				
Max. transfer power	1500 VA/180 W				
Max. operating frequency	≤15ms				
Mechanical life	5 x 1,000,000 operations				
Electrical life	1 x 100,000 operations				
Applicable wires	0.2 - 2.5 mm ²				

Data Sheet

Item No. 261238, 261239, 2612245:

Dimensions (mm): 88.2 x 6.2 x 76.6 mm

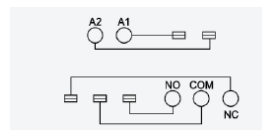
Net weight: 30 g



Stripping length:



Wiring diagram:

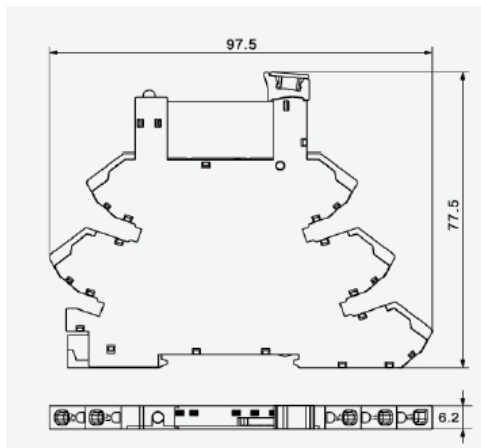


Stripping length:

Item No. 261240, 2612246:

Dimensions (mm): 97.5 x 6.2 x 77.5 mm

Net weight: 30 g



Wiring diagram:

