

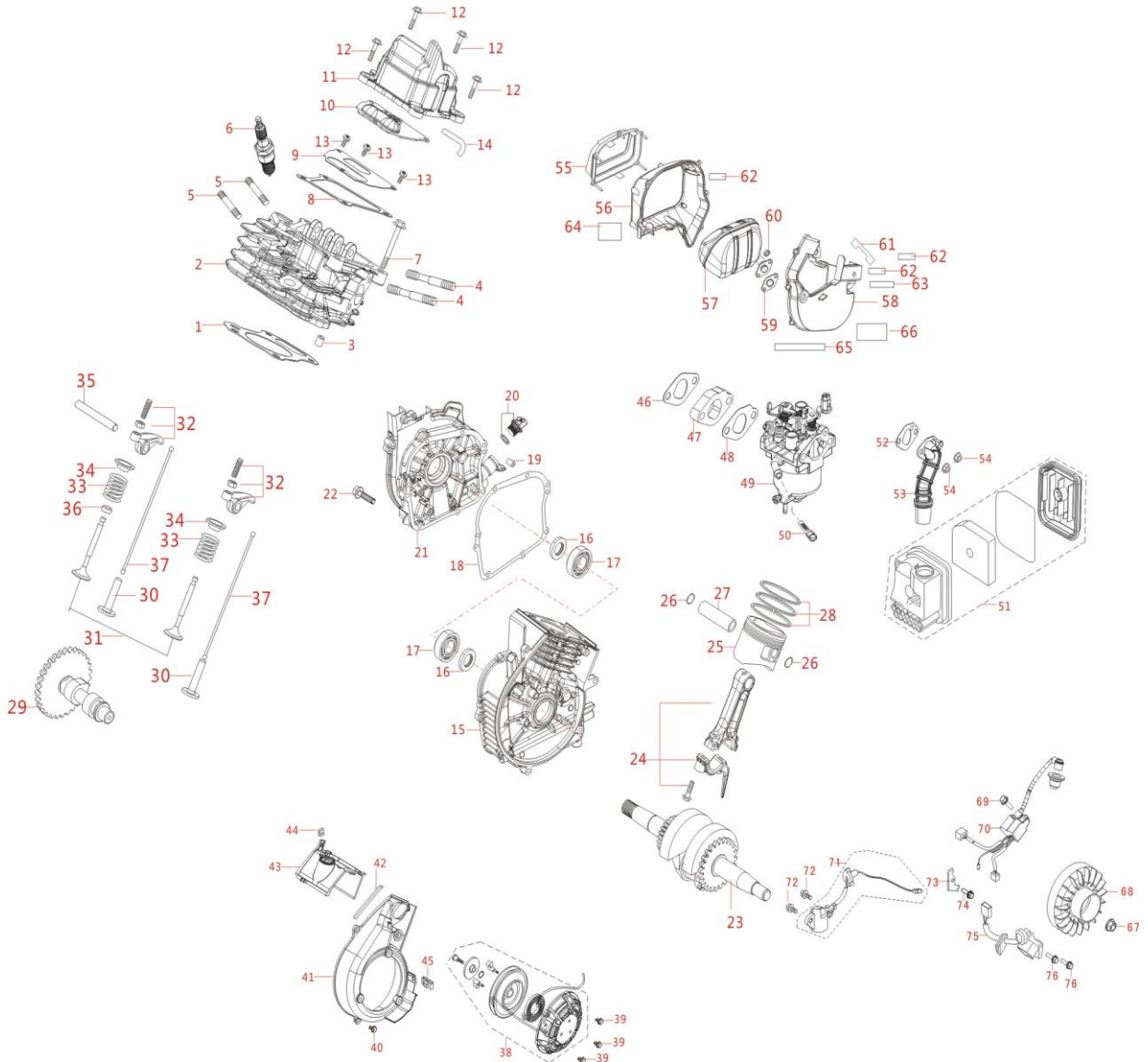


## Spare Part List – Engine

FN 960189c01

BN 2612921

RE: TOOLCRAFT Inverter Power Generator 1.88KW 59dB



REF.NO.	PART NO	DESCRIPTION
1	2000i. e-1	GASKET, CYLINDER HEAD
2	2000i. e-2	CYLINDER HEAD
3	2000i. e-3	PIN



## Spare Part List – Engine

---

4	2000i. e-4	STUD
5	2000i. e-5	STUD
6	2000i. e-6	SPARK PLUG
7	2000i. e-7	CYLINDER HEAD BOLT
8	2000i. e-8	CYLINDER HEAD COVER GASKET
9	2000i. e-9	BREATH PLATE
10	2000i. e-10	BREATH GROOVE GASKET
11	2000i. e-11	CYLINDER HEAD COVER
12	2000i. e-12	BOLT
13	2000i. e-13	BOLT
14	2000i. e-14	BREATHER TUBE
15	2000i. e-15	CRANKCASE
16	2000i. e-16	OIL-SEAL
17	2000i. e-17	BEARING
18	2000i. e-18	CRANKCASE GASKET
19	2000i. e-19	PIN
20	2000i. e-20	OIL DIPSTICK
21	2000i. e-21	CRANKCASE COVER
22	2000i. e-22	BOLT
23	2000i. e-23	CRANKSHAFT ASSY.
24	2000i. e-24	CONNECTING ROD
25	2000i. e-25	PISTON
26	2000i. e-26	PISTON PIN CLIP
27	2000i. e-27	PISTON PIN
28	2000i. e-28	PISTON RING ASSY.



## Spare Part List – Engine

---

29	2000i. e-29	CAMSHAFT ASSY.
30	2000i. e-30	VALVE TAPPET
31	2000i. e-31	valve
32	2000i. e-32	VALVE ROCKER
33	2000i. e-33	SPRING
34	2000i. e-34	VALVE SPRING SEAT
35	2000i. e-35	VALVE ROCKER SHAFT
36	2000i. e-36	SEAL GUARD
37	2000i. e-37	VALVE LIFTER
38	2000i. e-38	RECOIL STARTER ASSY.
39	2000i. e-39	BOLT
40	2000i. e-40	BOLT
41	2000i. e-41	SHROUD
42	2000i. e-42	SHROUD SEAL STRIP
43	2000i. e-43	CILINDER AIR SHILED
44	2000i. e-44	Limit card
45	2000i. e-45	NUT
46	2000i. e-46	CARBURETOR GASKET
47	2000i. e-47	CARBURETOR INSULATOR PLATE
48	2000i. e-48	CARBURETOR INSULATOR GASKET
49	2000i. e-49	CARBURETOR ASSY.
50	2000i. e-50	FUEL STRAINER
51	2000i. e-51	AIR FILTER
52	2000i. e-52	AIR FILTER GASKET
53	2000i. e-53	AIR FILTER INTAKE DUCT



## Spare Part List – Engine

---

54	2000i. e-54	NUT
55	2000i. e-55	MUFFLER SIDE COVER
56	2000i. e-56	MUFFLER SHROUD
57	2000i. e-57	MUFFLER BODY
58	2000i. e-58	MUFFLER SHIELD
59	2000i. e-59	EXHAUST OUTLET GASKET
60	2000i. e-60	NUT
61	2000i. e-61	MUFFLER SHILED GASKET 1
62	2000i. e-62	MUFFLER SHILED GASKET 2
63	2000i. e-63	MUFFLER SHILED GASKET 3
64	2000i. e-64	Heat protection paper
65	2000i. e-65	Heat protection paper
66	2000i. e-66	Heat protection paper
67	2000i. e-67	FLYWHEEL NUT
68	2000i. e-68	FLYWHEEL SUBASSEMBLY
69	2000i. e-69	BOLT
70	2000i. e-70	IGNITOR
71	2000i. e-71	OIL SE
72	2000i. e-72	BOLT
73	2000i. e-73	CLAMP
74	2000i. e-74	BOLT
75	2000i. e-75	IGNITION COIL
76	2000i. e-76	BOLT