



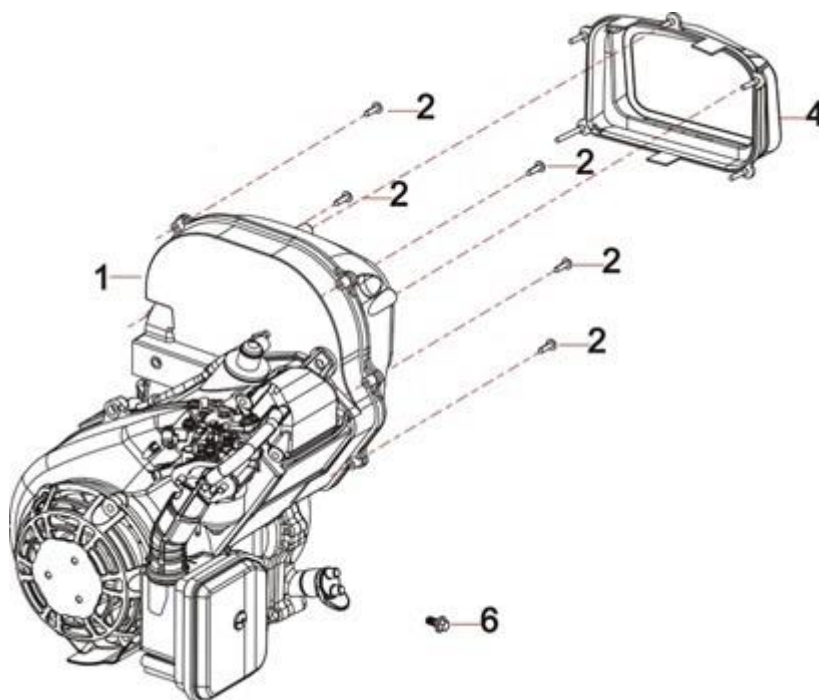
Spare Part List – Generator

FN 960189c01

BN 2612921

RE: TOOLCRAFT Inverter Power Generator 1.88KW 59dB

FIG.1 Engine Assembly (E00)

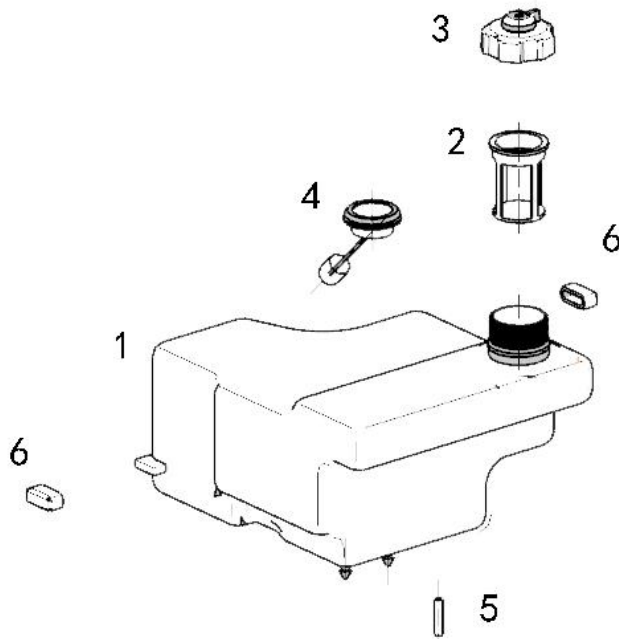


REF.NO.	PART NO.	DESCRIPTION
1-1	2000i.1-1	engine
1-2	2000i.1-2	tapping screw
1-4	2000i.1-4	Muffler Cover
1-6	2000i.1-6	Flange Bolt



Spare Part List – Generator

FIG.2 TANK, FUEL Assembly (F01)

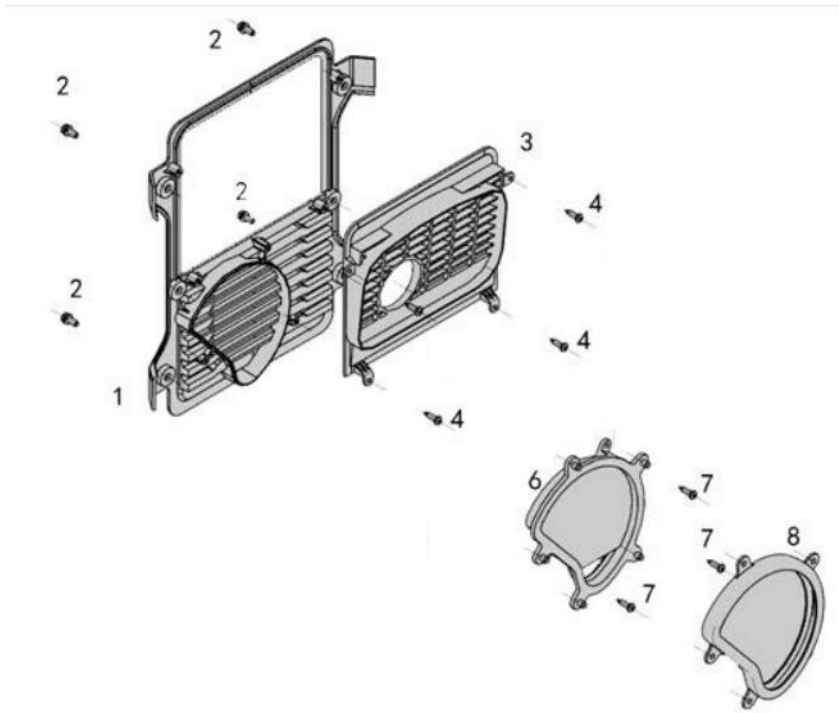


REF.NO.	PART NO.	DESCRIPTION
2-1	2000i.2-1	Fuel Tank ASSY
2-2	2000i.2-2	Fuel Filter
2-3	2000i.2-3	cap
2-4	2000i.2-4	fuel level gauge
2-5	2000i.2-5	filter element
2-6	2000i.2-6	rubber parts 10#



Spare Part List – Generator

FIG.3 Noise mask Assembly

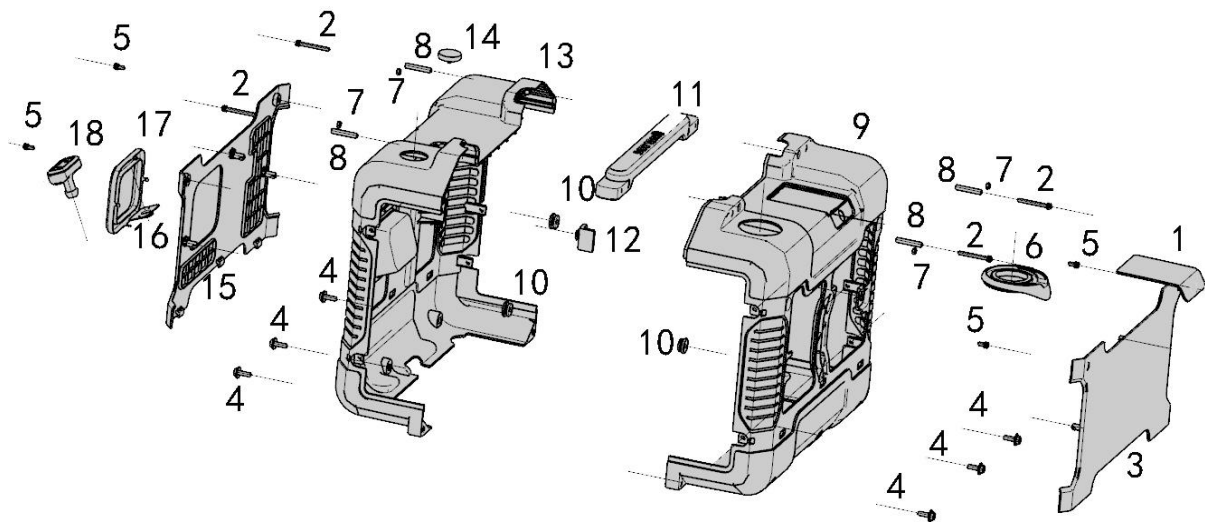


REF.NO.	PART NO.	DESCRIPTION
3-1	2000i.3-1	muffler cover support
3-2	2000i.3-2	cross pan bolts
3-3	2000i.3-3	muffle cover
3-4	2000i.3-4	tapping screw
3-6	2000i.3-6	alternator cover
3-7	2000i.3-7	tapping screw
3-8	2000i.3-8	5# rubber parts



Spare Part List – Generator

FIG.4 Cover Assembly

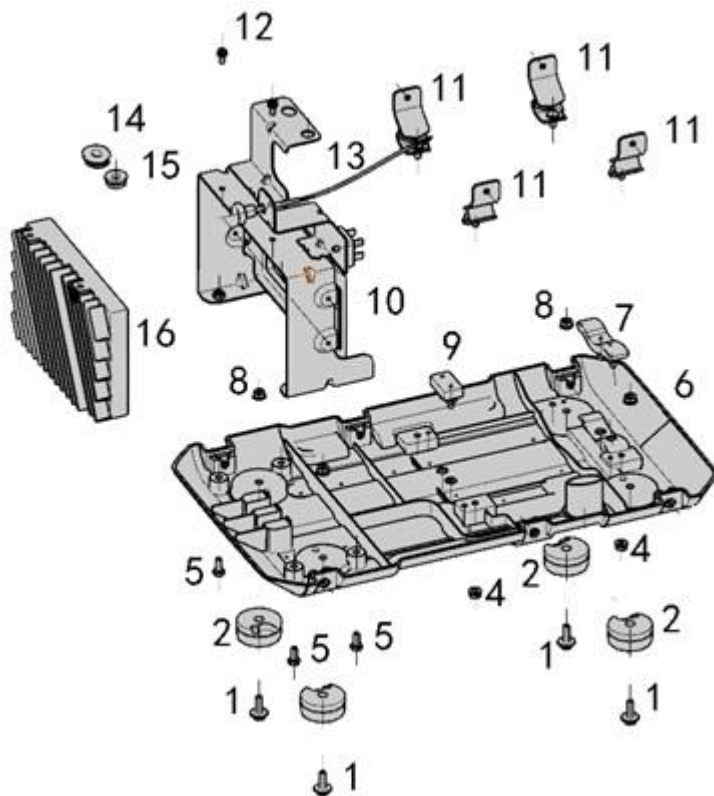


REF.NO.	PART NO.	DESCRIPTION
4-1	2000i.4-1	spark plug cover
4-2	2000i.4-2	assembled bolt
4-3	2000i.4-3	back panel
4-4	2000i.4-4	M6X20 Flange Bolt
4-5	2000i.4-5	M6X10 Flange Bolt
4-6	2000i.4-6	rubber parts #4
4-7	2000i.4-7	M5 nut
4-8	2000i.4-8	bushing
4-9	2000i.4-9	Back Housing
4-10	2000i.4-10	rubber part #11
4-11	2000i.4-11	handle
4-12	2000i.4-12	rubber part #8
4-13	2000i.4-13	Front Housing
4-14	2000i.4-14	viewing mirror
4-15	2000i.4-15	Front Board
4-16	2000i.4-16	recoil baffle
4-17	2000i.4-17	frame
4-18	2000i.4-18	recoil handle



Spare Part List – Generator

FIG.5 Base Board, Stand Assembly



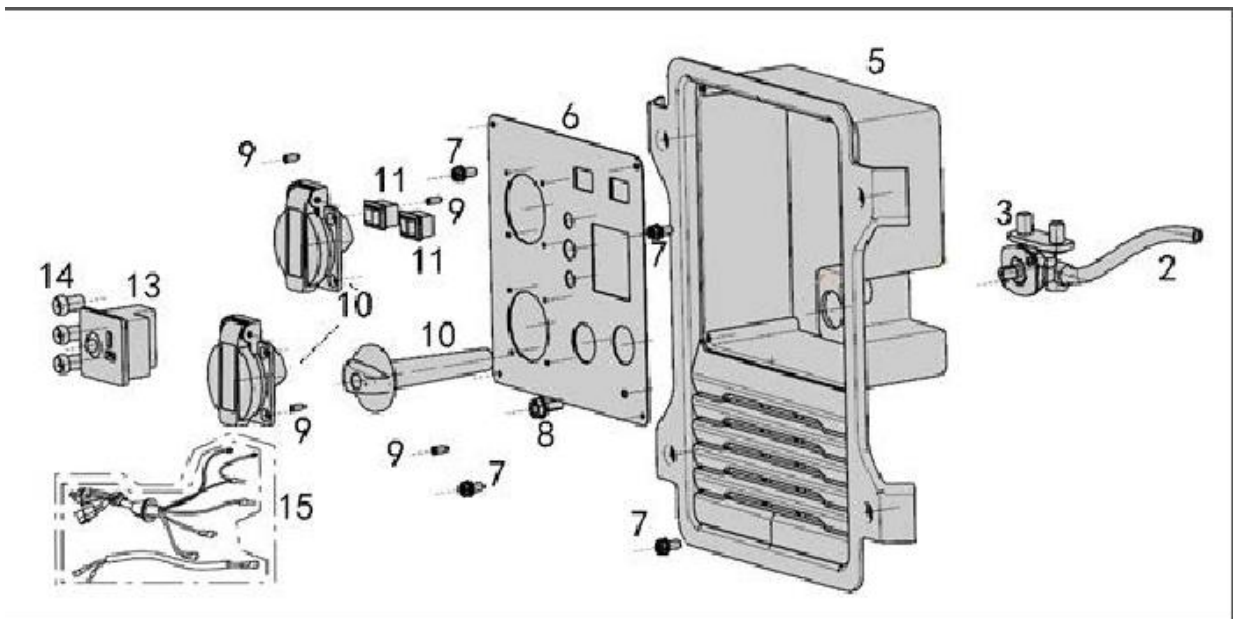
REF.NO.	PART NO.	DESCRIPTION
5-1	2000i.5-1	M6X18 screw
5-2	2000i.5-2	rubber foot
5-4	2000i.5-4	M6 Flange Nut
5-5	2000i.5-5	M5X15 bolt
5-6	2000i.5-6	baseboard
5-7	2000i.5-7	rubber part #12
5-8	2000i.5-8	M6 Flange Nut
5-9	2000i.5-9	rubber part #13
5-10	2000i.5-10	iron support
5-11	2000i.5-11	shock absorption foot
5-12	2000i.5-12	M6X18 screw
5-13	2000i.5-13	throttle cable
5-14	2000i.5-14	rubber part #6
5-15	2000i.5-15	rubber part #11



Spare Part List – Generator

5-16	2000i.5-16	inverter unit
------	------------	---------------

FIG.6 Control panel Assembly

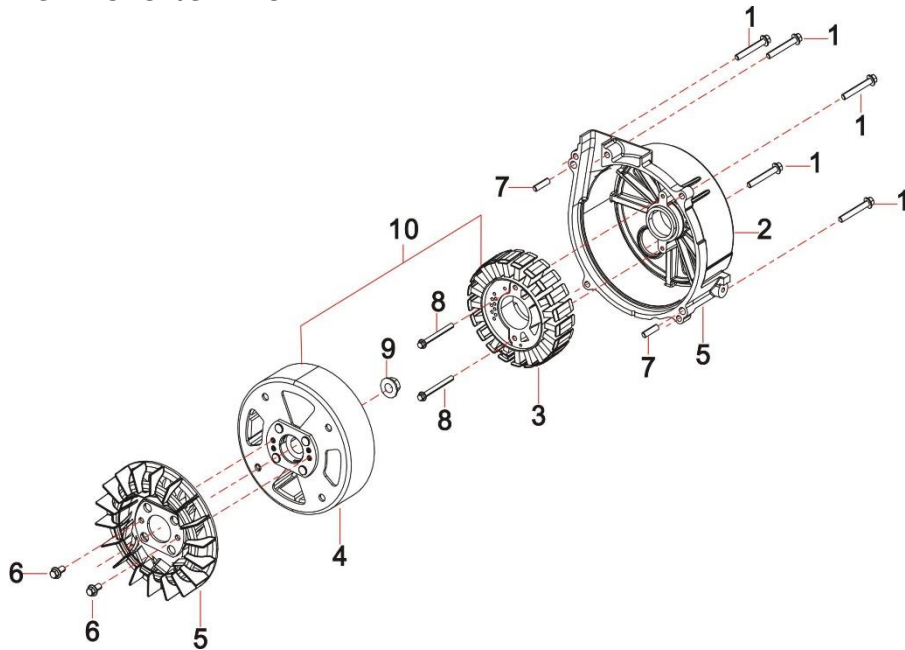


REF.NO.	PART NO.	DESCRIPTION
6-1	2000i.6-1	hose clip
6-2	2000i.6-2	fuel hose
6-3	2000i.6-3	fuel switch
6-5	2000i.6-5	panel housing
6-6	2000i.6-6	control panel
6-7	2000i.6-7	cross screw
6-8	2000i.6-8	cross screw
6-9	2000i.6-9	tapping screw
6-10	2000i.6-10	socket
6-11	2000i.6-11	switch
6-13	2000i.6-13	DC charger socket
6-14	2000i.6-14	pilot light



Spare Part List – Generator

FIG.7 ROTOR/STATION



REF.NO.	PART NO.	DESCRIPTION
7-1	2000i.7-1	Flange Bolt
7-2	2000i.7-2	alternator cover
7-3	2000i.7-3	Stator ASSY
7-4	2000i.7-4	Rotator ASSY
7-5	2000i.7-5 (E-68)	Engine Impeller
7-6	2000i.7-6	Flange Bolt
7-7	2000i.7-7	pin
7-8	2000i.7-8	Flange Bolt
7-9	2000i.7-9	Flange Nut