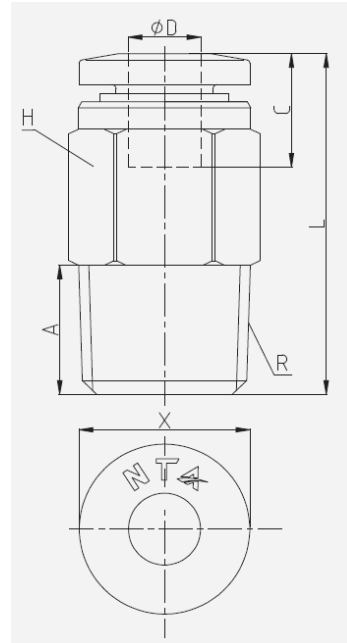


Data Sheet

Push in fitting, Straight



- Pressure range: 0 -10 bar
- Negative pressure: -1 bar (10 Torr)
- Max. pressure: 15 bar
- Temperature range: -10 – 80 °C

Item no.	Model no.	D	R	A	L	H	X	C
2615612	PC4-M5	4	M5	3.5	20.8	10	9.9	14.8
2615613	PC6-M5	6	M5	3.5	21.5	12	11.8	15.8
2615614	PC6-01	6	R1/8	7.5	21	12	11.8	15.8
2615967	PC6-02	6	R1/4	9.5	22.8	14	11.8	15.8
2615615	PC8-01	8	R1/8	7.5	26	14	13.8	17.3
2615616	PC8-02	8	R1/4	9.5	25	14	13.8	17.3
2615617	PC10-02	10	R1/4	9.5	30.4	17	16.8	19.6
2615618	PC10-03	10	R3/8	10.5	27.4	17	16.8	19.6