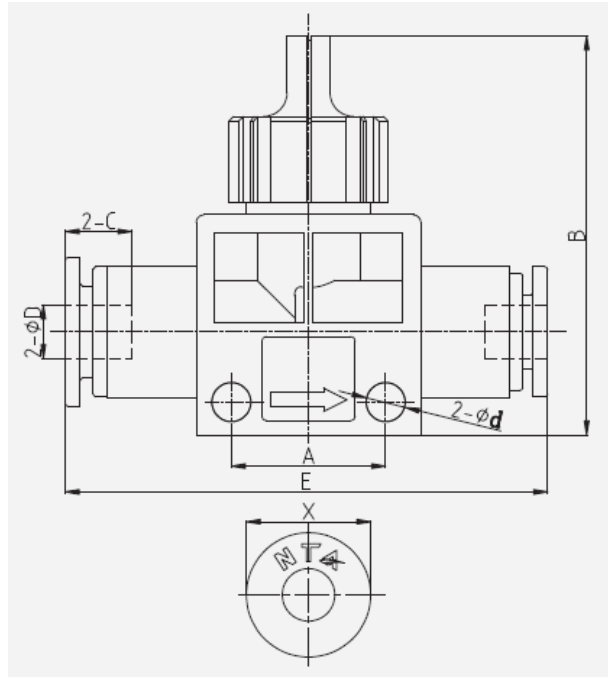


Data Sheet

Hand valve, Union Straight



- Pressure range: 0 -10 bar
- Negative pressure: -1 bar (10 Torr)
- Max. pressure: 15 bar
- Temperature range: -10 – 80 °C

Item no.	Model no.	Type	D	d	A	B	E	X	C
2615667	HVFF06-06	Three-way	6	4.2	16.5	42.6	51.1	11.8	17.9
2615668	HVFF08-08	Three-way	8	4.2	16.5	42.6	52	13.8	18.8