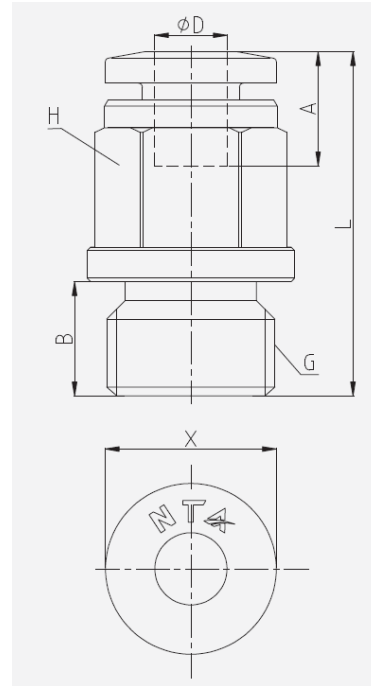


## Data Sheet

### G thread fitting, Male Straight



- Pressure range: 0 -10 bar
- Negative pressure: -1 bar (10 Torr)
- Max. pressure: 15 bar
- Temperature range: -10 – 80 °C

Item no.	Model no.	D	G	B	L	H	X	A
2615678	PC6-G01	6	G1/8	5.5	23	12	11.8	15.8
2615679	PC6-G02	6	G1/4	7	22	12	11.8	15.8
2615680	PC8-G01	8	G1/8	5.5	25	14	13.8	17.3
2615681	PC8-G02	8	G1/4	7	26.6	14	13.8	17.3
2615682	PC12-G02	12	G1/4	7	31.7	21	19.8	22.2
2615683	PC12-G03	12	G3/8	7	27.6	21	19.8	22.2
2615684	PC12-G04	12	G1/2	8.5	29.1	21	19.8	22.2
2615685	PC16-G03	16	G3/8	7	35.7	24	27	25
2615686	PC16-G04	16	G1/2	8.5	37.7	24	27	25