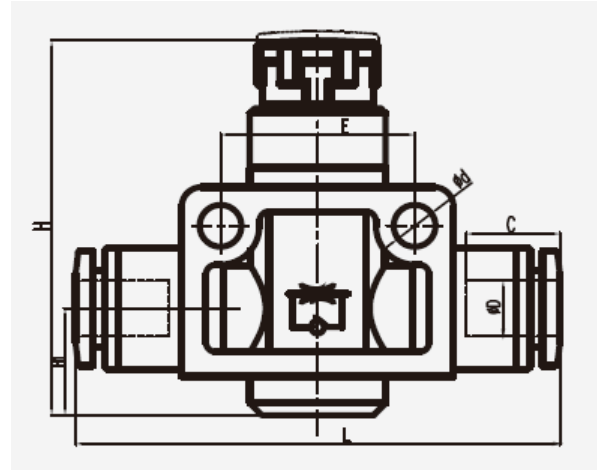


Data Sheet

Push lock type Speed Controller



- Pressure range: 0 - 8 bar
- Negative pressure: -1 bar (10 Torr)
- Temperature range: 0 – 60 °C

Item no.	Model no.	D	C	d	E	L	H	H1
2615702	TSA4	4	15.3	3.5	14	41.2	26.6	6.5
2615699	TSA6	6	16.6	4.3	20	49.9	38.6	11
2615700	TSA8	8	19	4.3	22	56.8	45.8	11.9