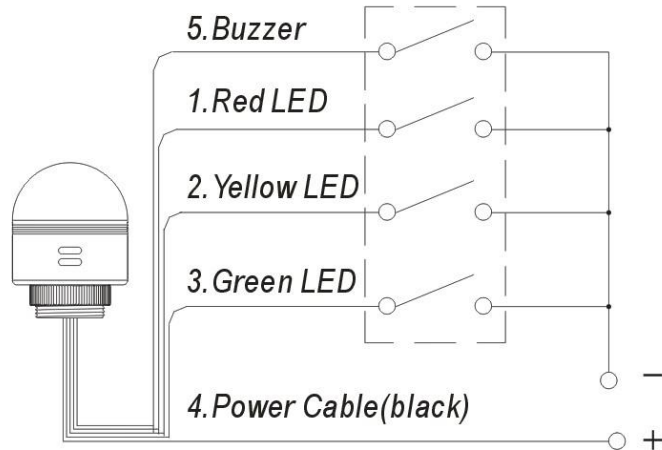
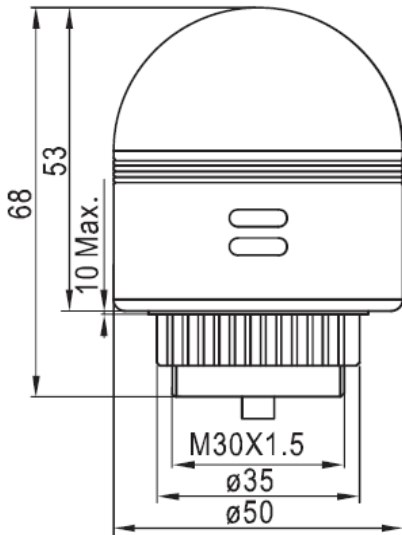


# Data Sheet

## RGB signal light with signal tone



### Specification

Illumination .....	Continuous Light
Buzzer .....	Continuous buzzer
LED .....	Red/Yellow/Green 24VDC
Max. current consumption.....	75 mA
Case colour (details) .....	White (diffuse)
Operating and storage temperature .....	-25 to +55°C
Operating and storage humidity .....	≤98%
Sound.....	80 dB(1M)
IP Degree .....	IP65
Length of open-end cable .....	appx. 70 cm
Material .....	PC