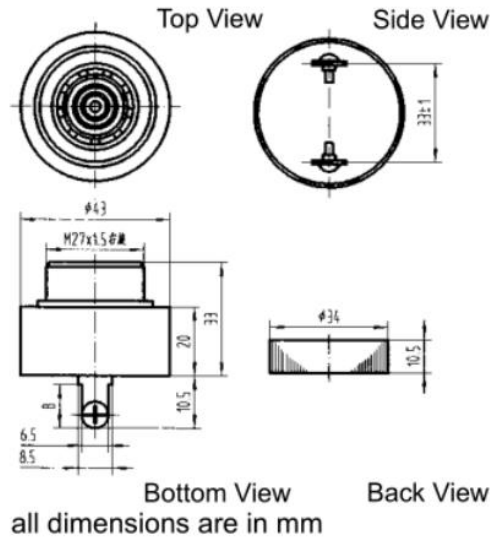


Data Sheet

Piezo buzzer (pin type) 80dB



Unit: mm

Technical data

Rated voltage	12VDC
Operating voltage	6V-28VDC
Max Rated current	20mA at 12VDC
Min Sound Pressure Level	80dB at 12VDC/60cm
Resonant Frequency	2900±500Hz
Operating temperature	-20°C to +80°C
Storage Temperature	-20°C to +80°C
Tone Nature	Continuous
Weight	40g