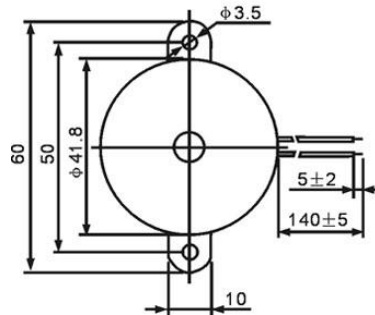


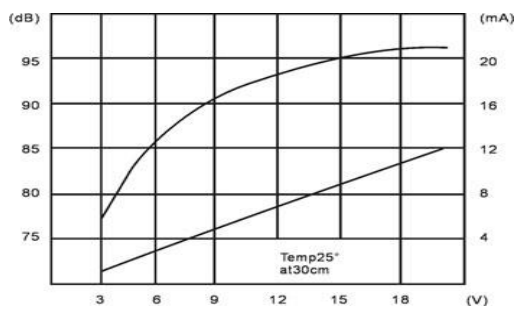
Data Sheet

Piezo buzzer (wire)



Unit: mm

Frequency response:



Technical data

Rated voltage	12VDC
Operating voltage	3V-24VDC
Max Rated current	30mA at 12VDC
Min Sound Pressure Level	100dB at 12VDC/30cm
Resonant Frequency	2700±500Hz
Sound tone	Continuous
Operating temperature	-20°C to +80°C
Storage Temperature	-20°C to +80°C
Housing material/color	ABS/black
Weight	12g