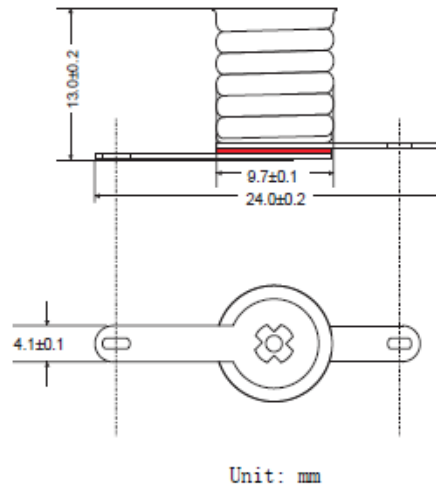


Data Sheet

E10 bulb holder with solder lead



Technical data:

Lamp bulb type: E10

Material: Brass

Plating: Nickel

Voltage rating: 24 V DC max.

Current rating: 3A max.

Operating temperature: -10 to 105°C

Storage temperature: -10 to 85°C