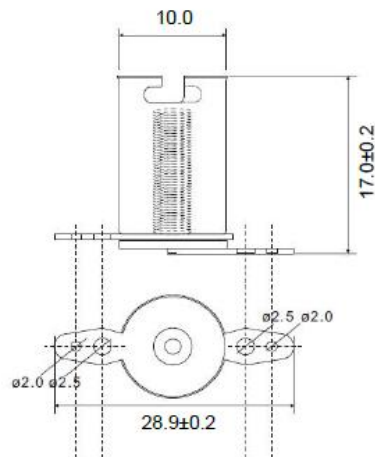


Data Sheet

BA9S bulb socket with solder lead



Unit: mm

Technical data:

Lamp bulb type: BA9S

Material: Brass

Plating: Nickel

Voltage rating: 50 VAC/ 75 VDC max.

Operating temperature: -10 to 105°C

Storage temperature: -10 to 85°C