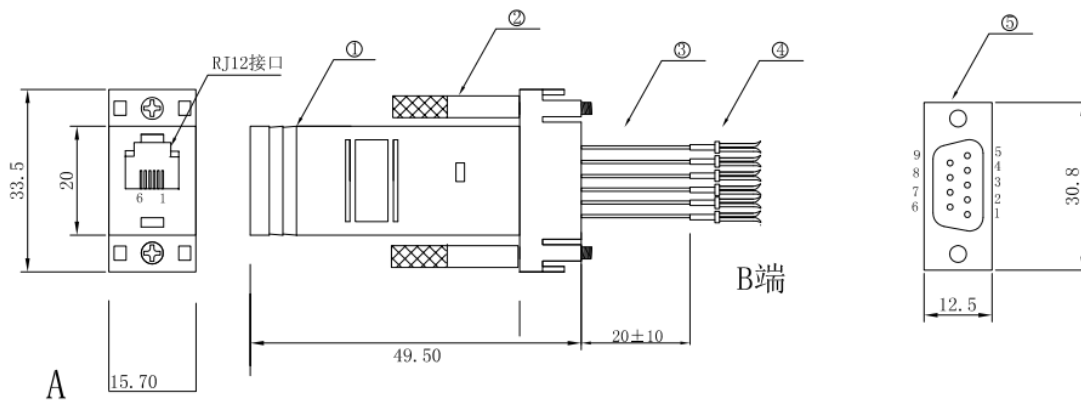


Data Sheet

D-SUB adapter socket 9-pin female to RJ12 6P6C



Technical data

Number of pins: 9 Pins

Material: ABS

Connector Type: Adapter, straight

Contact material: Copper

Operating Temperature: -40°C to 80°C