

4G Bracket Antenna

for 4G/3G/2G Ewon devices

SOLUTION SHEET

SSH-300-00 1.0 en-US ENGLISH



Important User Information

Disclaimer

The information in this document is for informational purposes only. Please inform HMS Industrial Networks of any inaccuracies or omissions found in this document. HMS Industrial Networks disclaims any responsibility or liability for any errors that may appear in this document.

HMS Industrial Networks reserves the right to modify its products in line with its policy of continuous product development. The information in this document shall therefore not be construed as a commitment on the part of HMS Industrial Networks and is subject to change without notice. HMS Industrial Networks makes no commitment to update or keep current the information in this document.

The data, examples and illustrations found in this document are included for illustrative purposes and are only intended to help improve understanding of the functionality and handling of the product. In view of the wide range of possible applications of the product, and because of the many variables and requirements associated with any particular implementation, HMS Industrial Networks cannot assume responsibility or liability for actual use based on the data, examples or illustrations included in this document nor for any damages incurred during installation of the product. Those responsible for the use of the product must acquire sufficient knowledge in order to ensure that the product is used correctly in their specific application and that the application meets all performance and safety requirements including any applicable laws, regulations, codes and standards. Further, HMS Industrial Networks will under no circumstances assume liability or responsibility for any problems that may arise as a result from the use of undocumented features or functional side effects found outside the documented scope of the product. The effects caused by any direct or indirect use of such aspects of the product are undefined and may include e.g. compatibility issues and stability issues.

Table of Contents

Page

1	Preface	3
1.1	About This Document	3
1.2	Document History	3
1.3	Related Documents	3
1.4	Trademark Information	3
2	Material Description	4
3	Technical Drawing	5
4	Specifications.....	7
5	Part Number	8
6	References	9

This page intentionally left blank

1 Preface

1.1 About This Document

The present document describes the 4G bracket antenna that can be combined with a cellular 4G/3G/2G Ewon device.

For additional related documentation and file downloads, please visit www.ewon.biz/support.

1.2 Document History

Version	Date	Description
1.0	2022-06-01	First release

1.3 Related Documents

Document	Author	Document ID
----------	--------	-------------

1.4 Trademark Information

Ewon[®] is a registered trademark of HMS Industrial Networks SA. All other trademarks mentioned in this document are the property of their respective holders.

2 Material Description

This antenna is an omni-directional broad band antenna for 4G/3G/2G Ewon devices.

The design of the mounting bracket enables simple wall mounting using the supplied screws and wall plugs or mast mounting using a pipe clip or cable ties (not supplied).

The omni-directional radiation pattern allows easy placement of the antenna in an elevated position.

3 Technical Drawing

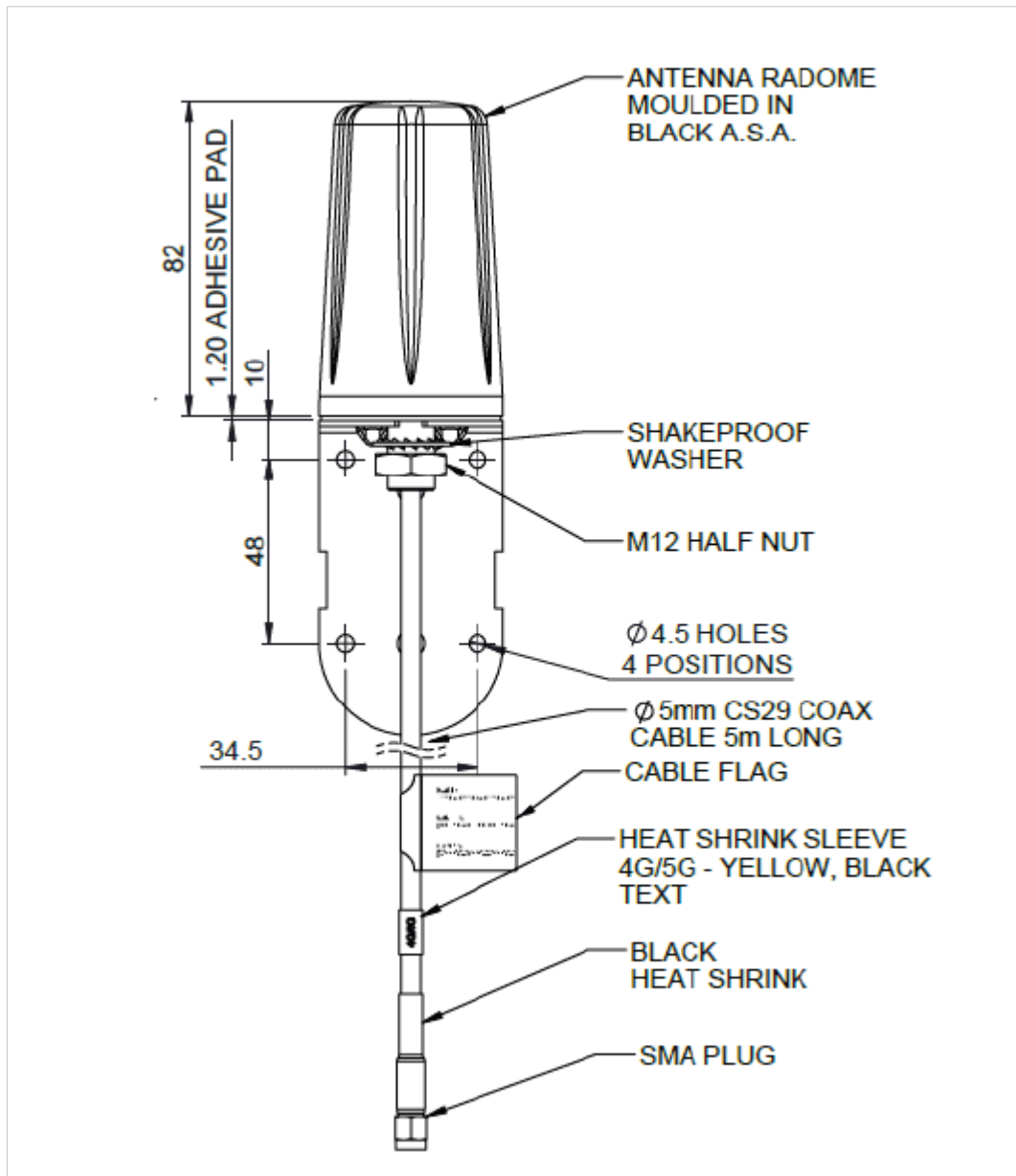


Fig. 1 Technical drawing

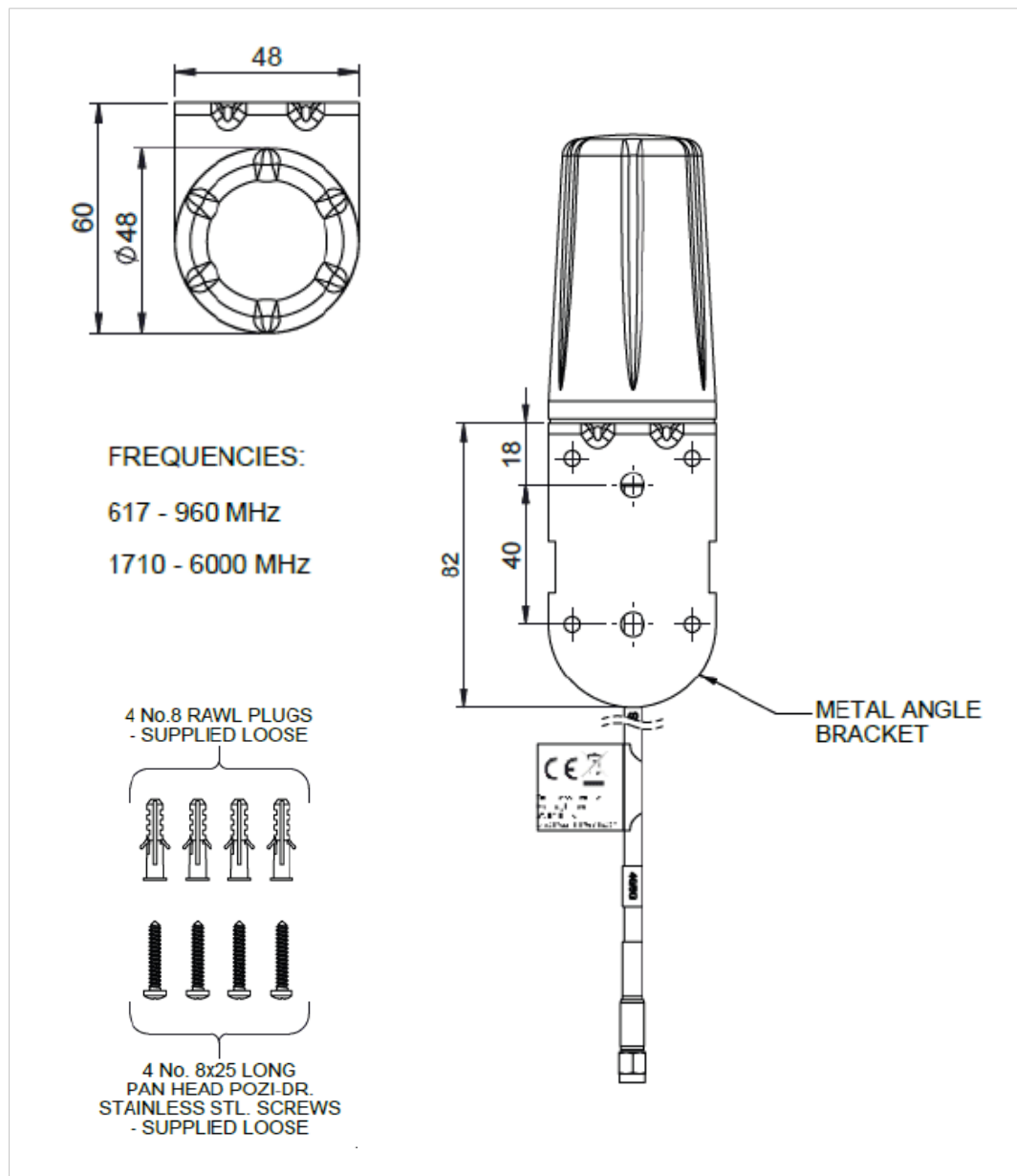


Fig. 2 Technical drawing

4 Specifications

Part No.		B4BE-6-60-5SP
Electrical Data		
Frequency Range (MHz)		617-960 / 1710-6000
Operational Band		2G/3G/4G/5G
Peak Realised Gain: Isotropic*	617-960MHz	2dBi
	1710-2700 MHz	3.5dBi
	3400-3800MHz	5dBi
	4.9-6000Mhz	7dBi
VSWR		<2.5:1
Nominal Radiated Efficiency*		> 70%
Polarisation		Vertical
Pattern		Omni-directional
Impedance		50Ω
Max Input Power (W)		30
Mechanical Data		
Dimensions (mm)	Height mounted	164 (6.46")
	Diameter	48(1.89")
Operating Temp (°C)		-40° / +85°C (-40° / 185°F)
Material		ASA, aluminium, zinc plated steel
Material Approvals		Radome ASA Material - UL 746C F2, UL 94-HB
Colour		Black & natural
Ingress Protection		IP66
Mounting Data		
Fixing		Wall or mast mount
Mounting Scew Diameter (mm)		4 (0.16")
Weight (g)		390
Cable Data		
Type		CS29 (Double Shielded RG58)
Diameter (mm)		5 (0.19")
Length (m)		5 (17')
Termination		SMA Plug

* Peak gain and efficiency simulated in CST microwave studio on a bracket excluding cable loss

5 Part Number

Item	EWON P/N	Manufacturer	Manufacturer P/N
Antenna + Cable + Bracket	FAC91201_0000	Panorama Antennas	B4BE-6-60-5SP

6 References

All the above content is based on the Panorama Antennas documentation:
www.panorama-antennas.com

