

EN Read the entire instruction manual before you start installation and assembly. If you have any questions regarding any of the instructions or warnings, please contact your local distributor for assistance.

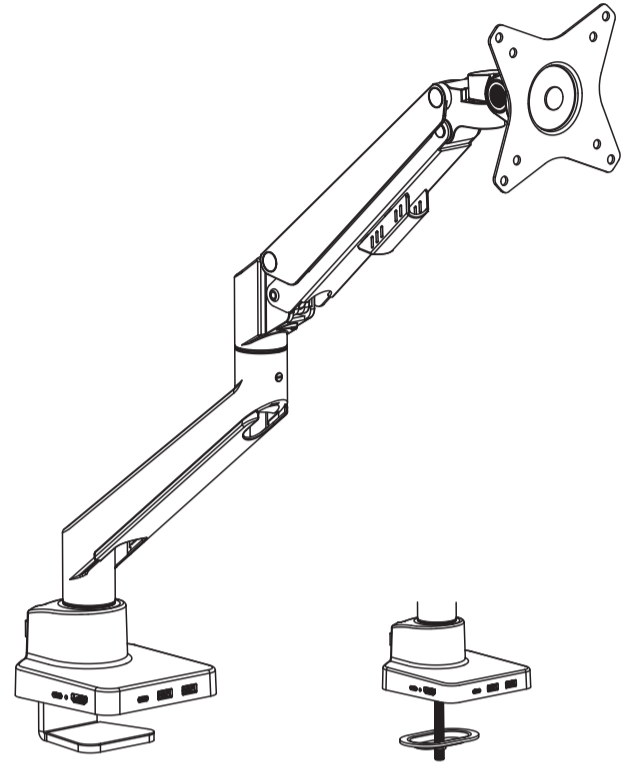
- CAUTION:** Use with products heavier than the rated weights indicated may result in instability causing possible injury.
- Please closely follow the assembly instructions. Improper installation may result in damage or serious personal injury.
- Safety gear and proper tools must be used. This product should only be installed by professionals.
- Make sure that the supporting surface will safely support the combined weight of the equipment and all attached hardware and components.
- Use the mounting screws provided and DO NOT OVER TIGHTEN mounting screws.
- This product contains small items that could be a choking hazard if swallowed. Keep these items away from children.
- This product is intended for indoor use only. Using this product outdoors could lead to product failure and personal injury.
- IMPORTANT:** Ensure that you have received all parts according to the component checklist prior to installation. If any parts are missing or faulty, contact your place of purchase for a replacement.
- MAINTENANCE:** Check that the product is secure and safe to use at regular intervals (at least every three months).

Instruction Manual

COUNTERBALANCE MONITOR ARM

With Docking Station

Item No.: 2623286 (SP-MM-600)

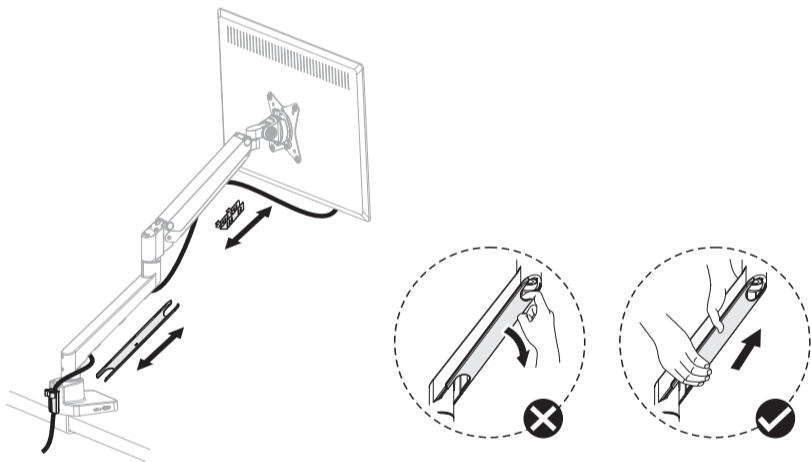


Support VESA mount
75x75 100x100

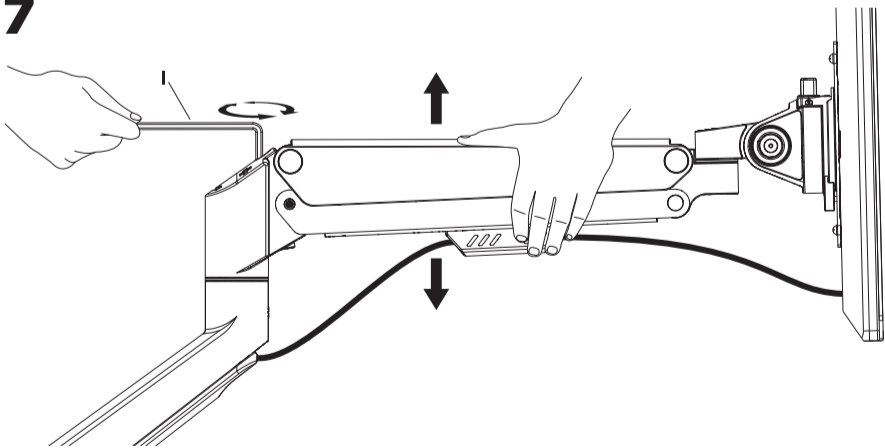
81.3cm
MAX
FLAT/CURVED

1-9kg
RATED

6

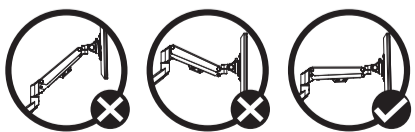


7



To properly balance the arm with monitor mounted, adjust the spring tension using the supplied Allen Key as follows:

First, position and firmly hold the arm horizontally as shown. Ask for assistance should you require it.



CAUTION: To avoid damage to monitor or mount, always keep the arm in a horizontal position while making adjustments. Again, ask for assistance if required.



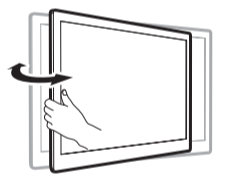
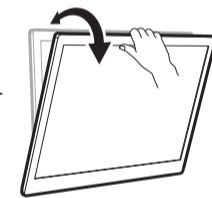
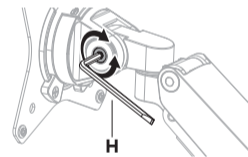
If the arm **drops**, turn the adjustment screw counter-clockwise until it stays in a horizontal position.



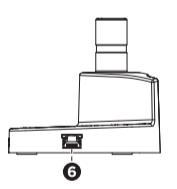
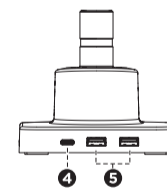
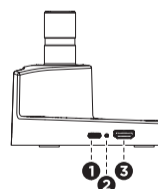
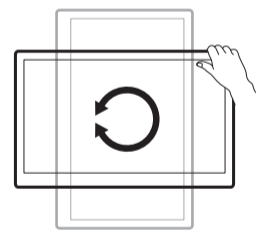
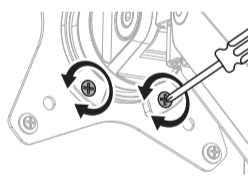
If the arm **rises**, turn the adjustment screw clockwise until it stays in a horizontal position.

CAUTION: DO NOT over tighten the screws.

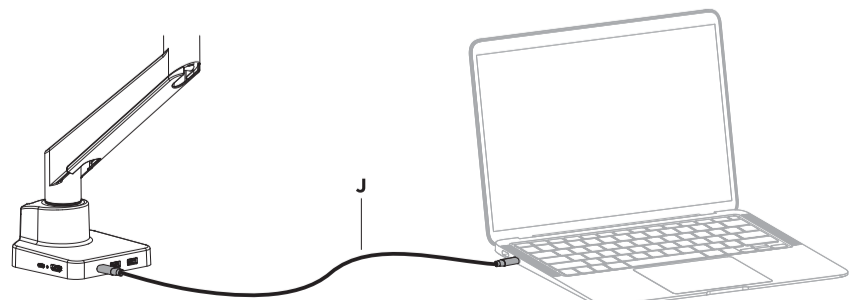
Note: If the display does not stop at your desired position, tighten the screws as shown.

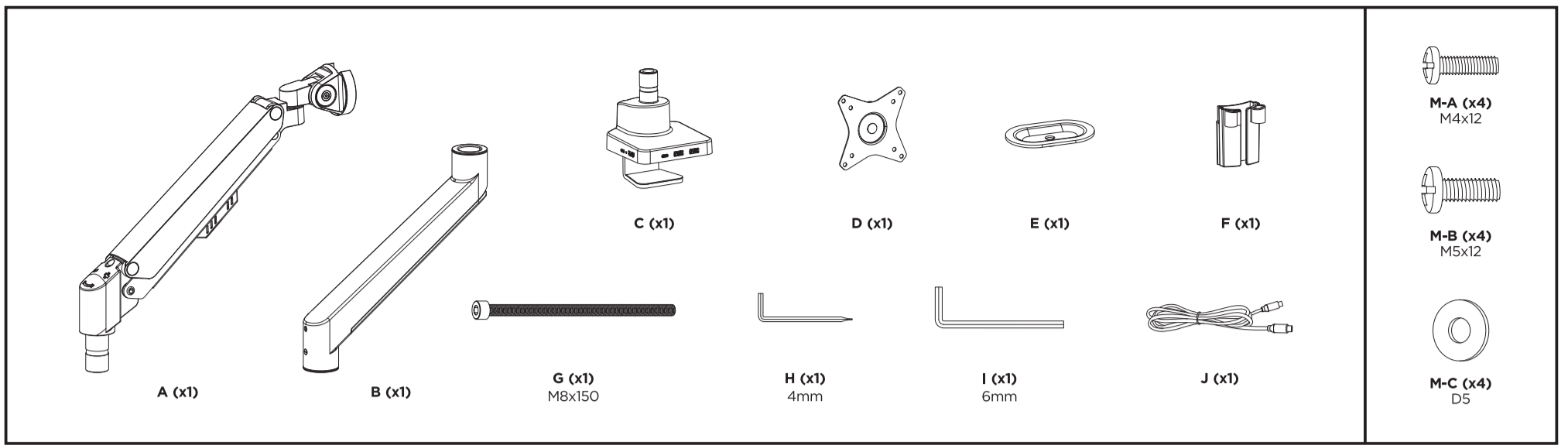


Note: If the display does not stop at your desired position, tighten the screws as shown.

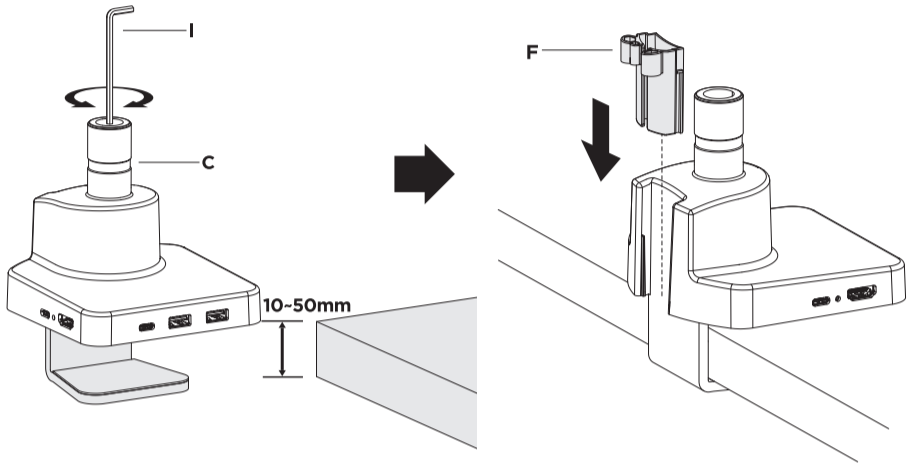


1	100W PD Port	PD charging up to 100W for dock station
2	Power Light	The light is on when powered
3	HDMI Port	This HDMI port supports media display with resolutions up to 4K@60Hz
4	USB-C® Upstream Port	Connects full featured USB-C® cable (J) to laptop; Supports laptop charging at 87W max
5	USB-A Downstream Port	USB 3.1 Gen 1 (5V, 0.9A max)
6	RJ45 Ethernet Port	Gigabit Ethernet, Transfer rate 10Mbit/100Mbit/1Gbit

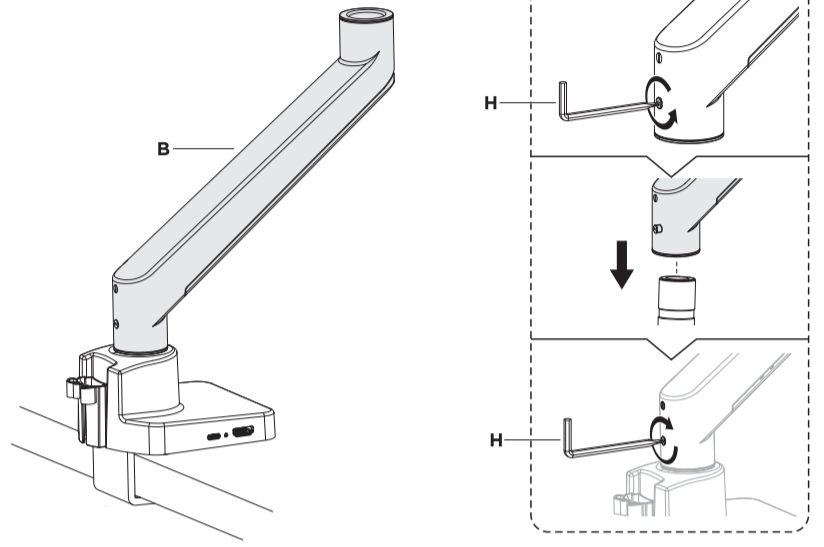




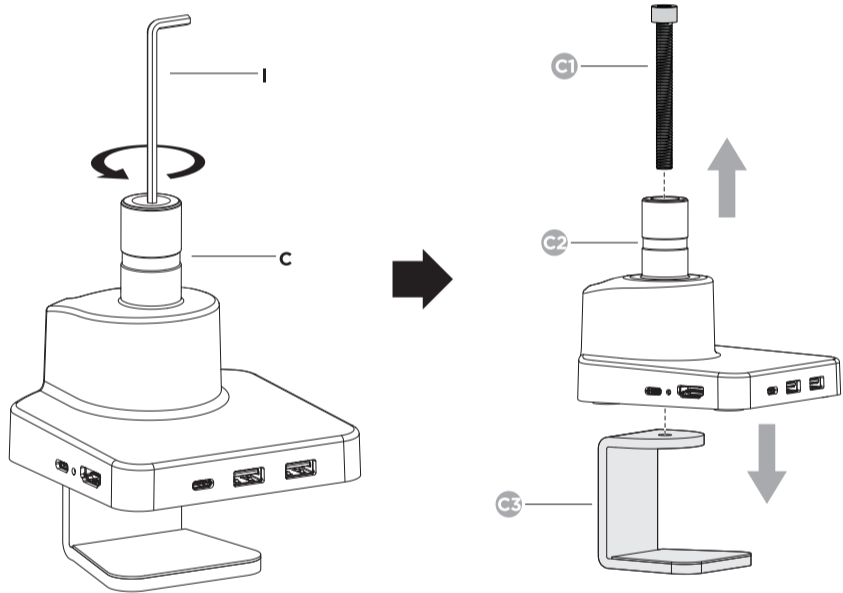
1 CLAMP INSTALLATION



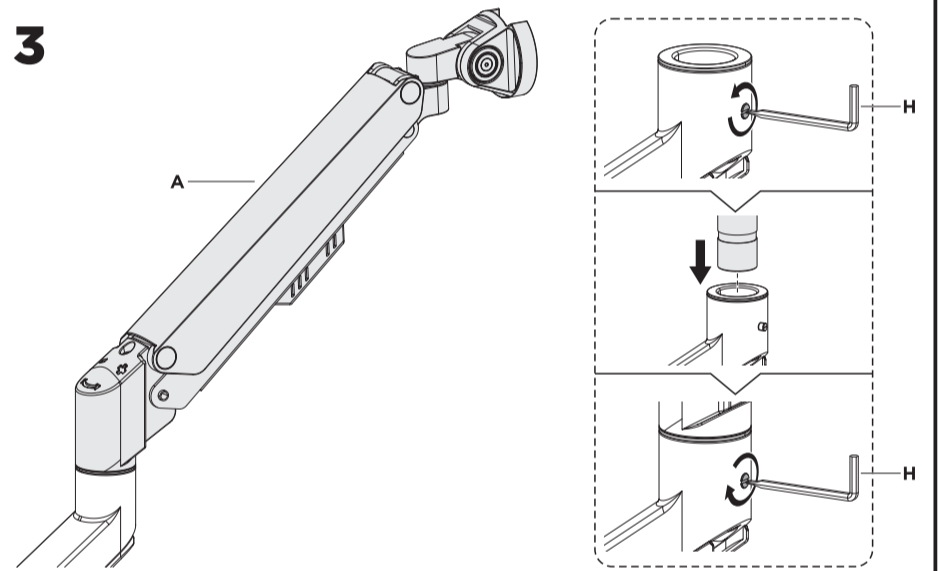
2



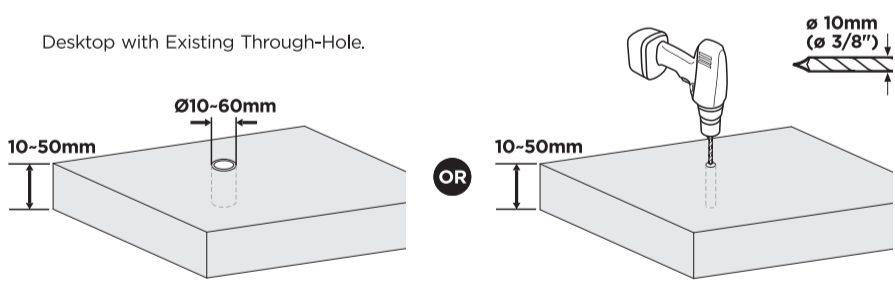
GROMMET INSTALLATION



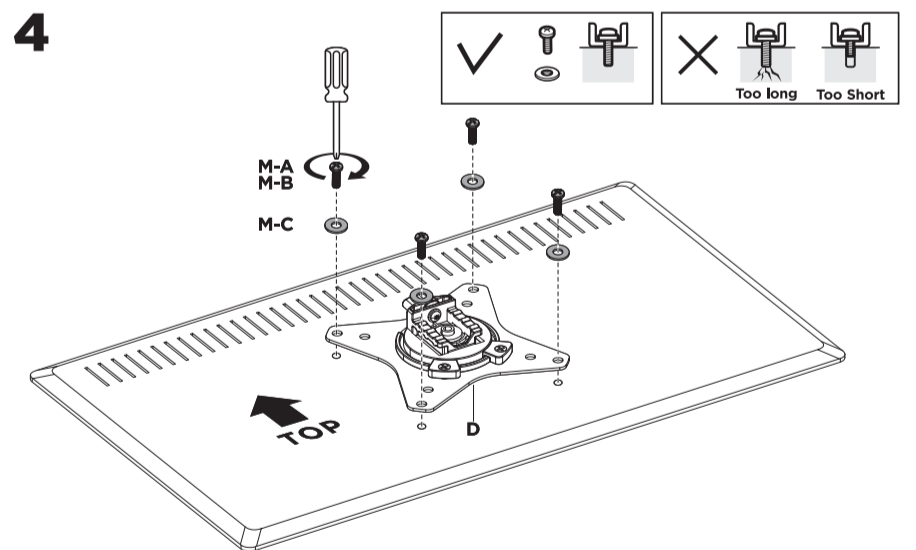
3



Desktop with Existing Through-Hole.



4



5

