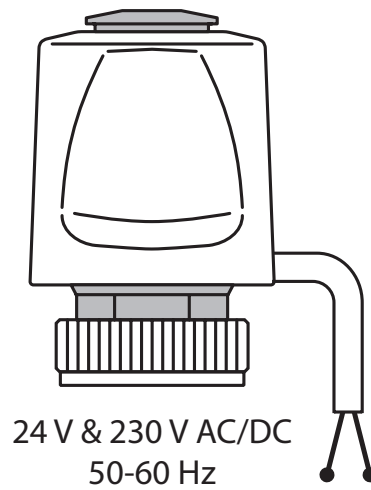
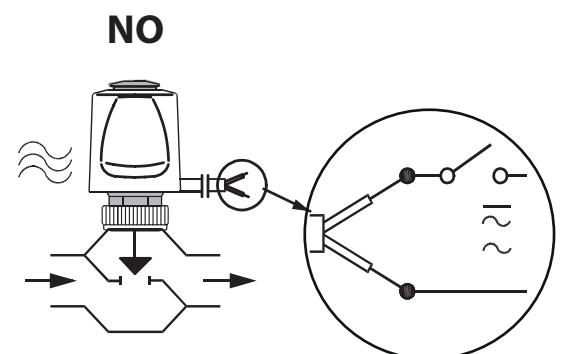
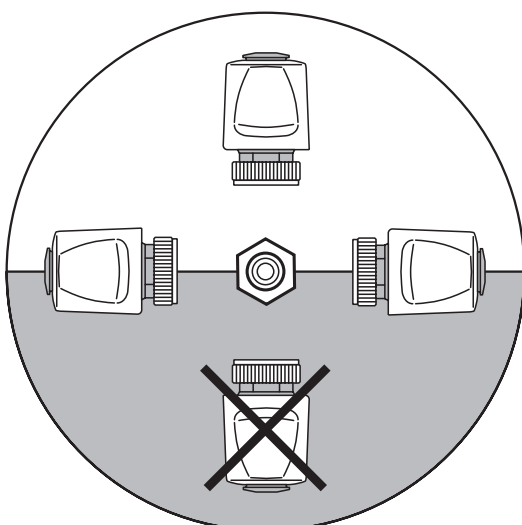
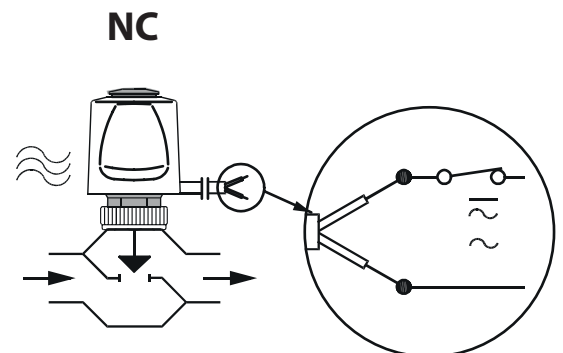
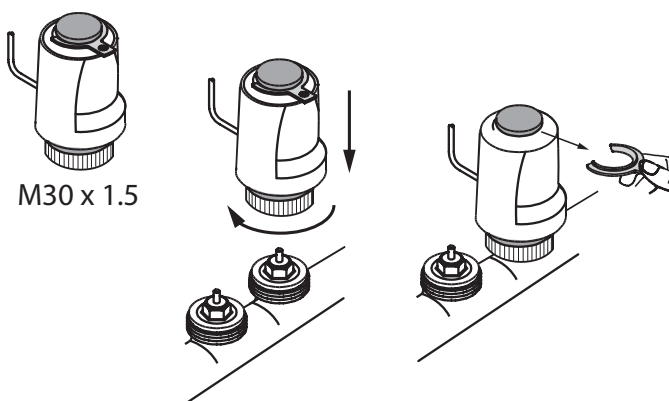


Installation Guide

Thermot actuator



1 Installation



Technical Data

Supply voltage	24 V AC/DC (Class II (SELV)) and 230 V AC (3A pre-fuse)
Frequency	50-60 Hz
Running power consumption	2 W
Spindle travel time	~3 min.
Ambient temperature	0-60° C
Enclosure	IP 41
Cable length	600 mm
Certificate	CE

Danfoss A/S
Floor Heating Hydronics
Ulvehavevej 61
7100 Vejle
Denmark
Phone: +45 7488 8500
Fax: +45 7488 8501
Email: heating@danfoss.com
www.floorheating.danfoss.com

Danfoss can accept no responsibility for possible errors in catalogues, brochures and other printed material. Danfoss reserves the right to alter its products without notice. This also applies to products already on order provided that such alterations can be made without subsequential changes being necessary in specifications already agreed.
All trademarks in this material are property of the respective companies. Danfoss and the Danfoss logotype are trademarks of Danfoss A/S. All rights reserved.