



Ethernet switch unmanaged ICRL-U-8RJ45-DIN

- Eight - 10/100BASE-TX ports
- Rugged housing for use in harsh environments
- Alarm relay output for port event notifications
- Suitable for PROFINET IO and EtherNet/IP
- Extended temperature range
- C1D2 certification
- Redundant power input with input power range of 10 to 60 VDC

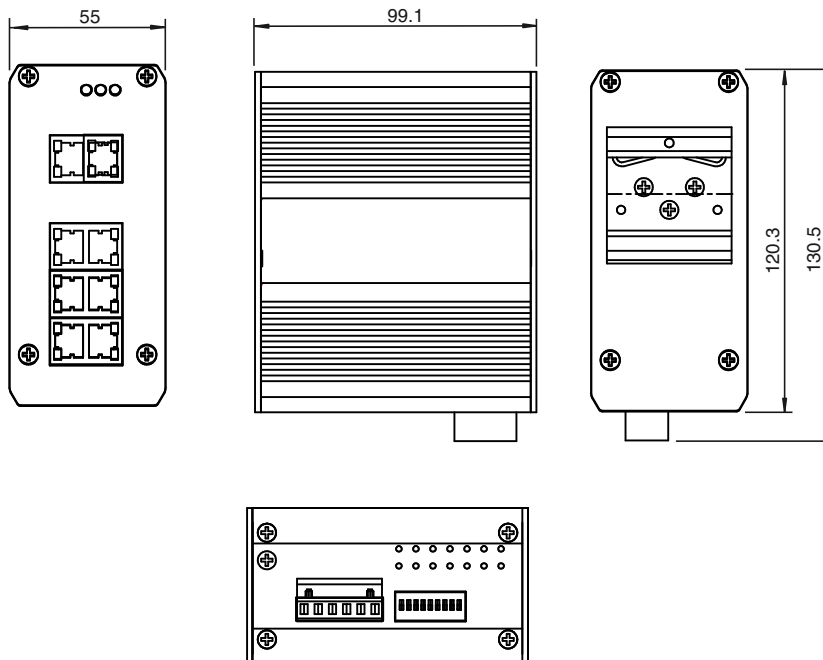
Ethernet unmanaged switch with 8 RJ45 ports, port alarm and extended temperature range



Function

The ICRL-U-8RJ45-DIN industrial Ethernet switch is used to build high performance Ethernet networks. The switch is designed for applications that require C1D2 certification, extended operating temperatures, rugged housings, high-performance communications, and reliable data transfer. This unmanaged switch provides a cost-effective solution for low-level field device connections without the need for complex configuration.

Dimensions



Technical Data

General specifications

UL File Number E185778 , E470652

Functional safety related parameters

MTBF 45,7

Ethernet Interface

Release date: 2021-09-15 Date of issue: 2021-09-15 Filename: 70104881_eng.pdf

Refer to "General Notes Relating to Pepperl+Fuchs Product Information".

Pepperl+Fuchs Group
www.pepperl-fuchs.com

USA: +1 330 486 0001
fa-info@us.pepperl-fuchs.com

Germany: +49 621 776 1111
fa-info@de.pepperl-fuchs.com

Singapore: +65 6779 9091
fa-info@sg.pepperl-fuchs.com

PF PEPPERL+FUCHS

Technical Data

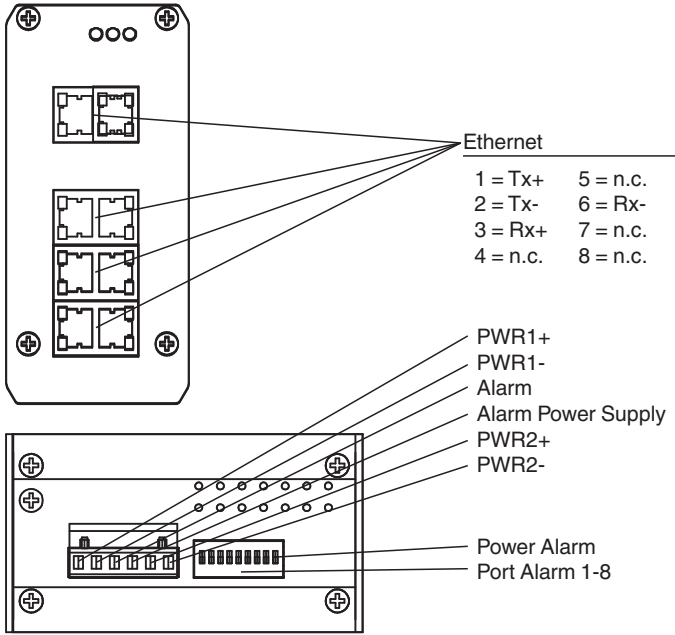
Auto-MDI(-X)		yes
Autonegotiation		yes
Ethernet Interface		Industrial Ethernet
Transfer rate		10BASE-T, 100BASE-TX
Cable type		Category 5e or better
Standards		
IEEE 802.3 10BASE-T		yes
IEEE 802.3u 100BASE-TX		yes
IEEE 802.3x Flow Control and Back-pressure		yes
IEEE 802.1Q Quality of Service (QoS)		yes
IEEE 802.1p Class of Service (CoS)		yes
Indicators/operating means		
LED indication		see manual
Electrical specifications		
Rated operating voltage	U _e	10 ... 60 V DC
Power consumption		5.3 W
General information		Port Failure, DIP switch enabled, Relay Rating, 0,5A Max. @ 24VDC
Nominal voltage		24 V DC
Current consumption		typ. 220 mA
Interface 1		
Physical		RJ45
Transfer rate		10/100 Mbps
Inputs/Outputs		
Number/Type		8 x RJ45
Directive conformity		
Electromagnetic compatibility		
Directive 2014/30/EU		EN61000-6-2, EN55024
Standard conformity		
Electrical safety		UL 508 Class I Div 2, IEC 60950/EN60950 (LISTED), CSA C22.2 No. 60950/UL60950
Emitted interference		EN 55032, FCC Part 15 Subpart B, ICES-003, AS/NZS CISPR 32
Noise immunity		EN 55024
Ambient conditions		
Ambient temperature		-40 ... 75 °C (-40 ... 167 °F)
Storage temperature		-40 ... 85 °C (-40 ... 185 °F)
Relative humidity		max. 95 %
Altitude		0 ... 3048 m
Mechanical specifications		
Degree of protection		IP30
Connection		Power Supply Terminal Block Ethernet 8 x RJ45
Material		
Housing		aluminium
Mass		540 g
Construction type		Cabinet module
Mounting		DIN rail or direct panel mounting

Release date: 2021-09-15 Date of issue: 2021-09-15 Filename: 70104881_eng.pdf

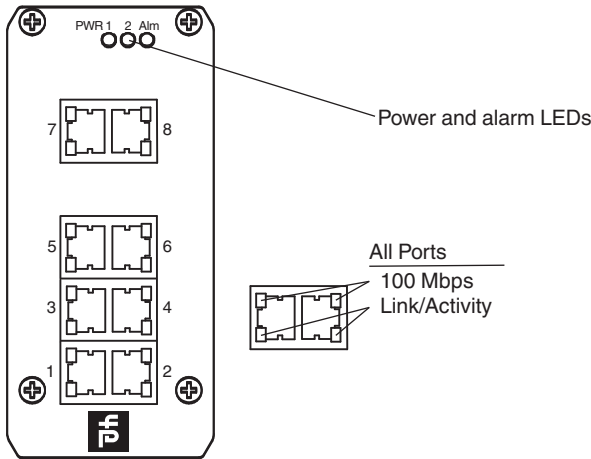
Refer to "General Notes Relating to Pepperl+Fuchs Product Information".

Pepperl+Fuchs Group
www.pepperl-fuchs.comUSA: +1 330 486 0001
fa-info@us.pepperl-fuchs.comGermany: +49 621 776 1111
fa-info@de.pepperl-fuchs.comSingapore: +65 6779 9091
fa-info@sg.pepperl-fuchs.com

PEPPERL+FUCHS



Indication



Accessories

	V45-G-C5-GN1M-PUR-E1S	Ethernet bus cable male cordset single-ended RJ45, 4-pin, PUR cable green, Cat5e, shielded, UL approved, drag chain suitable
	V45-G-C5-GN3M-PUR-E1S	Ethernet bus cable male cordset single-ended RJ45, 4-pin, PUR cable green, Cat5e, shielded, UL approved, drag chain suitable
	V45-G-C5-GN10M-PUR-E1S	Ethernet bus cable male cordset single-ended RJ45, 4-pin, PUR cable green, Cat5e, shielded, UL approved, drag chain suitable
	V45-G-C5-GN1M-PUR-E1S-V45-G	Ethernet bus cable RJ45 to RJ45 PROFINET-coded, 4-pin, PUR cable green, Cat5e, shielded, UL approved, drag chain suitable
	V45-G-C5-GN3M-PUR-E1S-V45-G	Ethernet bus cable RJ45 to RJ45 PROFINET-coded, 4-pin, PUR cable green, Cat5e, shielded, UL approved, drag chain suitable
	V45-G-C5-GN10M-PUR-E1S-V45-G	Ethernet bus cable RJ45 to RJ45 PROFINET-coded, 4-pin, PUR cable green, Cat5e, shielded, UL approved, drag chain suitable
	V45-G-C5-GN20M-PUR-E1S-V45-G	Ethernet bus cable RJ45 to RJ45 PROFINET-coded, 4-pin, PUR cable green, Cat5e, shielded, UL approved, drag chain suitable

Release date: 2021-09-15 Date of issue: 2021-09-15 Filename: 70104881_eng.pdf

Refer to "General Notes Relating to Pepperl+Fuchs Product Information".

Pepperl+Fuchs Group
www.pepperl-fuchs.com

USA: +1 330 486 0001
fa-info@us.pepperl-fuchs.com

Germany: +49 621 776 1111
fa-info@de.pepperl-fuchs.com

Singapore: +65 6779 9091
fa-info@sg.pepperl-fuchs.com

PEPPERL+FUCHS