



# Ethernet switch unmanaged gigabit ICRL-U-5RJ45-G-DIN

- Five - Gigabit ports
- Rugged housing for use in harsh environments
- 9K bytes jumbo frame for large file transfers
- Power event alarm
- Wide power input 10-60V DC
- Suitable for PROFINET IO and EtherNet/IP

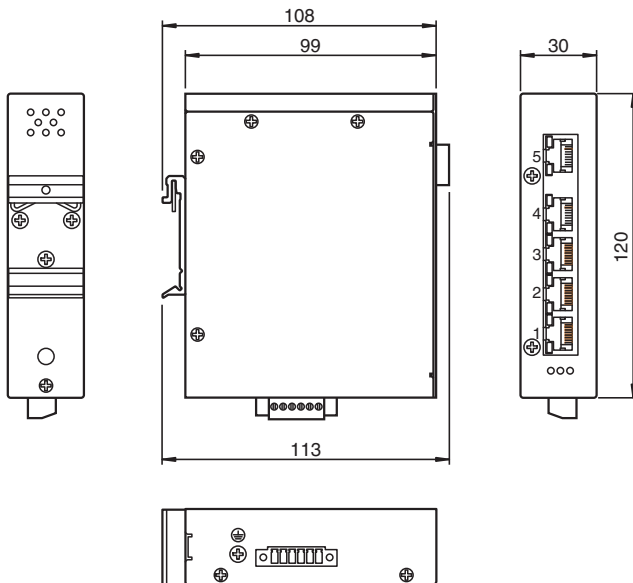
Ethernet unmanaged switch with 5 RJ45 gigabit ports and fault alarm



## Function

The ICRL-U-5RJ45-G-DIN is a compact unmanaged industrial switch with five 10/100/1000BASE-T(X) ports, which ensures high switching performance and easy installation. Along with its high switching performance, it supports multiple internal performance features, such as 9K bytes Jumbo Frame, Flow Control, it ensures quality traffic transmission. The switch is designed for operating reliably under harsh environments, it supports one alarm relay to indicate fault conditions when a power failure occurs, users can quickly handle the emergency and shorten the failover time. It has an IP31 rugged mental housing that provides great injection protection and heat dispersion capability that supports a wide operating temperature range, and it complies to EN50121-4 Track Side Standard so that can ensure the EMC protection capability.

## Dimensions



## Technical Data

### General specifications

UL File Number E185778

### Functional safety related parameters

Release date: 2021-03-15 Date of issue: 2021-03-15 Filename: 70114054\_eng.pdf

Refer to "General Notes Relating to Pepperl+Fuchs Product Information".

Pepperl+Fuchs Group  
www.pepperl-fuchs.com

USA: +1 330 486 0001  
fa-info@us.pepperl-fuchs.com

Germany: +49 621 776 1111  
fa-info@de.pepperl-fuchs.com

Singapore: +65 6779 9091  
fa-info@sg.pepperl-fuchs.com

**PF** PEPPERL+FUCHS

## Technical Data

MTBF		44.5 years
<b>Ethernet Interface</b>		
Auto-MDI(-X)		yes
Autonegotiation		yes
Ethernet Interface		Industrial Ethernet
Transfer rate		10BASE-T, 100BASE-TX, 1000BASE-T
Cable type		Category 5e or better
Standards		
IEEE 802.3 10BASE-T		yes
IEEE 802.3u 100BASE-TX		yes
IEEE 802.3x Flow Control and Back-pressure		yes
IEEE 802.3ab 1000BASE-T		yes
<b>Indicators/operating means</b>		
LED indication		see manual
<b>Electrical specifications</b>		
Rated operating voltage	U <sub>e</sub>	10 ... 60 V DC
Power consumption		3 W
General information		Redundant power, power fault alarm, relay output rating 1A Max. @ 24V DC
Nominal voltage		24 V DC
<b>Interface 1</b>		
Physical		RJ45
Transfer rate		10/100/1000 Mbps
<b>Inputs/Outputs</b>		
Number/Type		5 x RJ45
<b>Directive conformity</b>		
Electromagnetic compatibility		
Directive 2014/30/EU		EN61000-6-2, EN55024 , EN61000-6-4, EN55032
<b>Standard conformity</b>		
Emitted interference		EN 55032, FCC Part 15 Subpart B, ICES-003, AS/NZS CISPR 32
Noise immunity		EN 55024, EN61000-6-2
<b>Ambient conditions</b>		
Ambient temperature		-25 ... 70 °C (-13 ... 158 °F)
Storage temperature		-40 ... 85 °C (-40 ... 185 °F)
Relative humidity		max. 95 %
Altitude		0 ... 3048 m
<b>Mechanical specifications</b>		
Degree of protection		IP30
Connection		Power Supply Terminal Block Ethernet 5 x RJ45
<b>Material</b>		
Housing		aluminium, black
Mass		650 g
Construction type		Cabinet module
Mounting		DIN rail or direct panel mounting

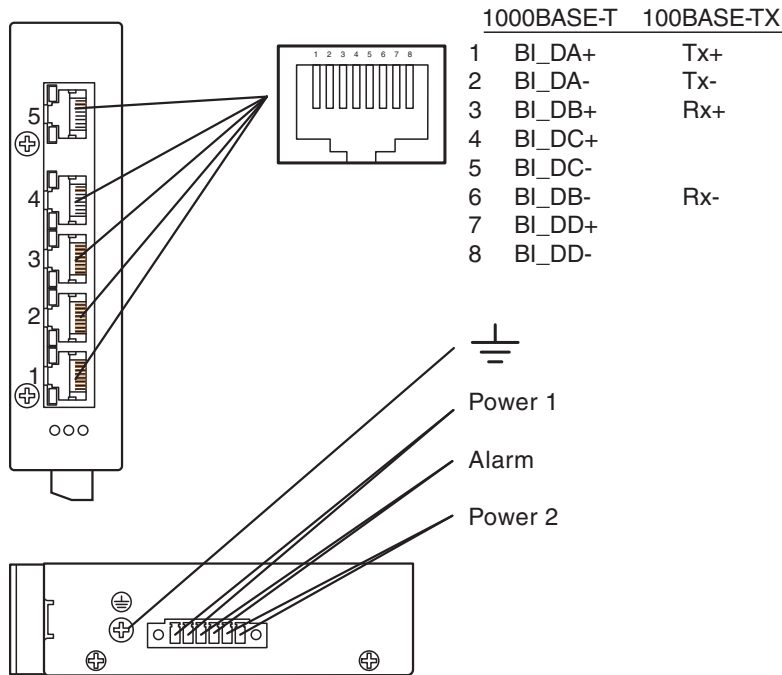
Release date: 2021-03-15 Date of issue: 2021-03-15 Filename: 70114054\_eng.pdf

Refer to "General Notes Relating to Pepperl+Fuchs Product Information".

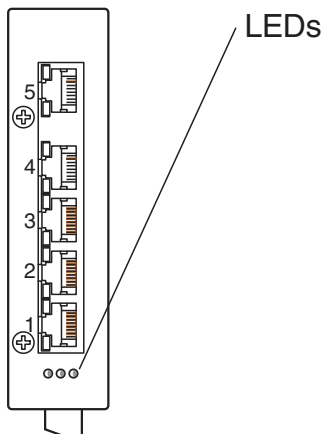
Pepperl+Fuchs Group  
www.pepperl-fuchs.comUSA: +1 330 486 0001  
fa-info@us.pepperl-fuchs.comGermany: +49 621 776 1111  
fa-info@de.pepperl-fuchs.comSingapore: +65 6779 9091  
fa-info@sg.pepperl-fuchs.com

**PEPPERL+FUCHS**

Wiring Diagram



Indication





Accessories

	<b>V45-G-C5-GN1M-PUR-E1S</b>	Ethernet bus cable male cordset single-ended RJ45, 4-pin, PUR cable green, Cat5e, shielded, UL approved, drag chain suitable
	<b>V45-G-C5-GN3M-PUR-E1S</b>	Ethernet bus cable male cordset single-ended RJ45, 4-pin, PUR cable green, Cat5e, shielded, UL approved, drag chain suitable
	<b>V45-G-C5-GN10M-PUR-E1S</b>	Ethernet bus cable male cordset single-ended RJ45, 4-pin, PUR cable green, Cat5e, shielded, UL approved, drag chain suitable
	<b>V45-G-C5-GN1M-PUR-E1S-V45-G</b>	Ethernet bus cable RJ45 to RJ45 PROFINET-coded, 4-pin, PUR cable green, Cat5e, shielded, UL approved, drag chain suitable
	<b>V45-G-C5-GN3M-PUR-E1S-V45-G</b>	Ethernet bus cable RJ45 to RJ45 PROFINET-coded, 4-pin, PUR cable green, Cat5e, shielded, UL approved, drag chain suitable

Release date: 2021-03-15 Date of issue: 2021-03-15 Filename: 70114054\_eng.pdf

## Accessories

	<b>V45-G-C5-GN10M-PUR-E1S-V45-G</b>	Ethernet bus cable RJ45 to RJ45 PROFINET-coded, 4-pin, PUR cable green, Cat5e, shielded, UL approved, drag chain suitable
	<b>V45-G-C5-GN20M-PUR-E1S-V45-G</b>	Ethernet bus cable RJ45 to RJ45 PROFINET-coded, 4-pin, PUR cable green, Cat5e, shielded, UL approved, drag chain suitable