



PS3500 Diagnostic Module

PS3500-DM

- Real-time input and output power monitoring
- Diagnostics and fault indication
- Modular and hot swappable
- Configurable alarms
- R/S 485 HART communication
- Asset management integration - EDDL/DTM
- ATEX, IECEx, and cULus approvals for Div 2/Zone 2

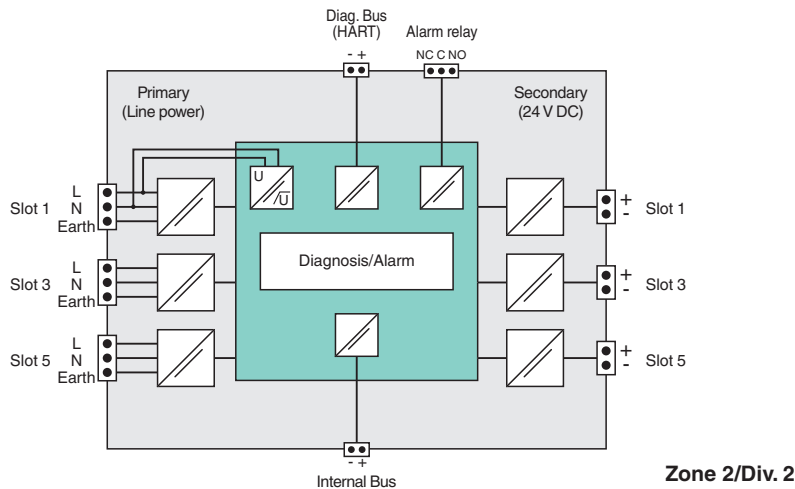
PS3500 N+1 Diagnostic Module for use with series PS3500 3 and 6-position backplanes.



Function

Having an advanced warning of a potential power failure could eliminate long hours of downtime and lost revenue. The diagnostic module continuously monitors the health of the PS3500 power supplies. As part of the PS3500 power supply system, the diagnostic module monitors the input, internal, and output parameters. The diagnostic module displays values of various measurement points along with warning and alarm messages for out-of-tolerance values.

Connection



Technical Data

Interface			
Type	diagnostic bus: RS 485		
Output			
Rated voltage	U_r	90...250 V AC, 44 ... 66 Hz; 90 ... 300 V DC	
Rated current	I_r	100 mA max	
Fault signal	Form C Relay 50 V DC @ 0.6 A 30 V DC @ 2 A		
Galvanic isolation			
Input/Output	4.25 kV DC		

Release date: 2022-02-08 Date of issue: 2022-02-08 Filename: 911107_eng.pdf

Refer to "General Notes Relating to Pepperl+Fuchs Product Information".

Pepperl+Fuchs Group
www.pepperl-fuchs.com

USA: +1 330 486 0002
pa-info@us.pepperl-fuchs.com

Germany: +49 621 776 2222
pa-info@de.pepperl-fuchs.com

Singapore: +65 6779 9091
pa-info@sg.pepperl-fuchs.com

PEPPERL+FUCHS




Technical Data

Field circuit/control circuit	Primay to Diagnostic Module Isolation: 4.25 kVDC External RS485 to primary isolation: 4.25 kVDC Internal RS485 to primary isolation: 4.25 kVDC Secondary to Diagnostic Module: 2.12 kVDC External RS485 to secondary isolation: 2.12 kVDC Internal RS485 to secondary isolation: 2.12 kVDC
Indicators/settings	
Display elements	LCD Status Screen Diagnostic Module LED Primary (AC Input) Monitors LED Secondary (DC Output) Monitors LED Power Supply Module LED
Directive conformity	
Electromagnetic compatibility	Refer to DoC for all directives and standards met.
Conformity	
Electromagnetic compatibility	NE 21:2006
Degree of protection	IEC 60529
Shock resistance	EN 60068-2-27
Vibration resistance	EN 60068-2-6
Ambient conditions	
Ambient temperature	-20 ... 60 °C (-4 ... 140 °F)
Storage temperature	-40 ... 85 °C (-40 ... 185 °F)
Relative humidity	< 95 % , non-condensing
Shock resistance	15 g , 11 ms
Vibration resistance	1 g , 58 ... 150 Hz
Mechanical specifications	
Connection type	motherboard specific
Housing material	Powder Coated, 1010 Cold Rolled Steel
Degree of protection	IP20
Mass	approx. 1.16 kg (2.56 lbs)
Dimensions	134 x 33 x 268 mm (5.3 x 1.3 x 10.6 inch)
Data for application in connection with hazardous areas	
Certificate	DEMKO 12 ATEX 1103387X
Marking	Ⓜ II 3 G Ex ic ec nC IIC T4 Gc
Directive conformity	
Directive 2014/34/EU	EN IEC 60079-0:2018; EN IEC 60079-7:2015+A12018; EN 60079-11:2012; EN 60079-15:2019
International approvals	
UL approval	cULus Listed E230669 E350173
Approved for	Class I/Div 2, ABCD Class I, Zone 2, Grp IIC T4
IECEx approval	IECEx UL 13.0082X Ex ic ec nC IIC T4 Gc
General information	
Supplementary information	Statement of Conformity, Declaration of Conformity, Attestation of Conformity and instructions have to be observed where applicable. For information see www.pepperl-fuchs.com .

Assembly



Matching System Components

	PS3500-TB-3	3 position N+1 Power Supply Backplane for use with PS2500 and PS3500 N+1 Power Supplies.
	PS3500-TB-6	6 position N+1 Power Supply Backplane for use with PS2500 and PS3500 N+1 Power Supplies.
	PS3500-PM-1.24.15	PS3500 N+1 Power Supply for use with series PS2500 and PS3500 3 and 6-position backplanes.

Release date: 2022-02-08 Date of issue: 2022-02-08 Filename: 911107_eng.pdf

Refer to "General Notes Relating to Pepperl+Fuchs Product Information".

Pepperl+Fuchs Group
www.pepperl-fuchs.com

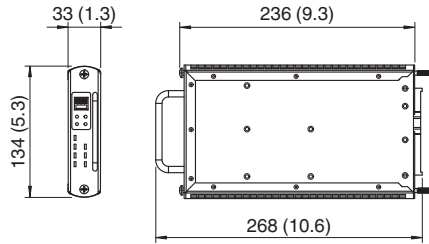
USA: +1 330 486 0002
pa-info@us.pepperl-fuchs.com

Germany: +49 621 776 2222
pa-info@de.pepperl-fuchs.com

Singapore: +65 6779 9091
pa-info@sg.pepperl-fuchs.com

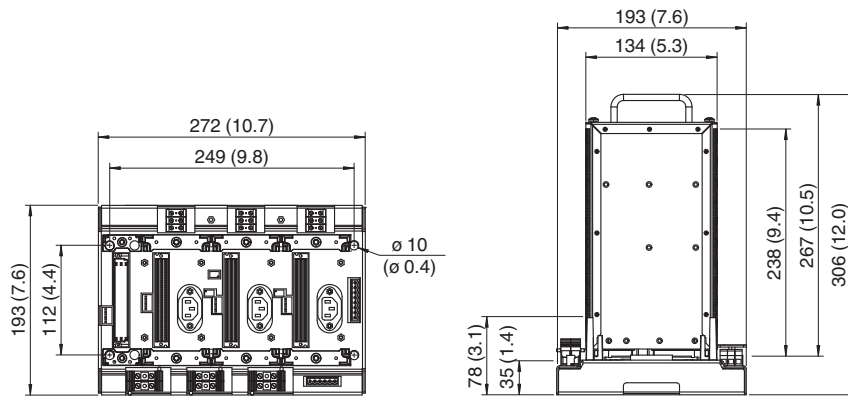
Dimensions

Device Dimensions mm (in)

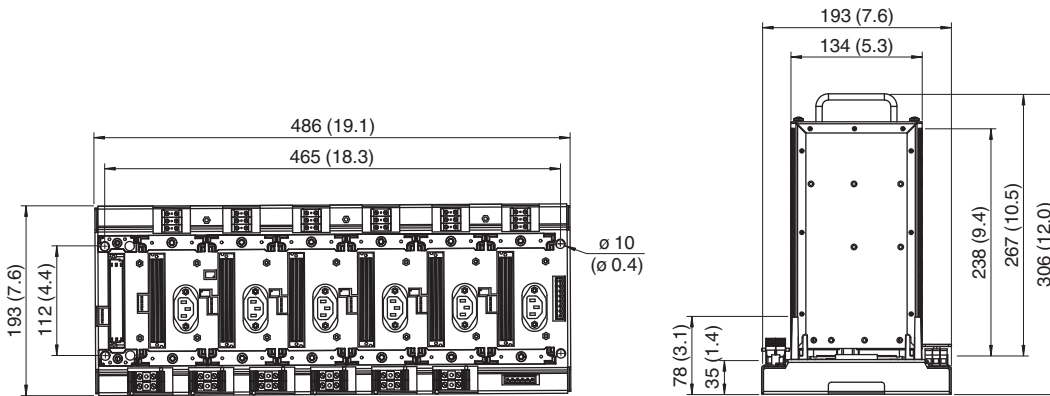


System Dimensions mm (in)

PS3500-TB-3



PS3500-TB-6



Release date: 2022-02-08 Date of issue: 2022-02-08 Filename: 911107_eng.pdf