



# Vision Sensor

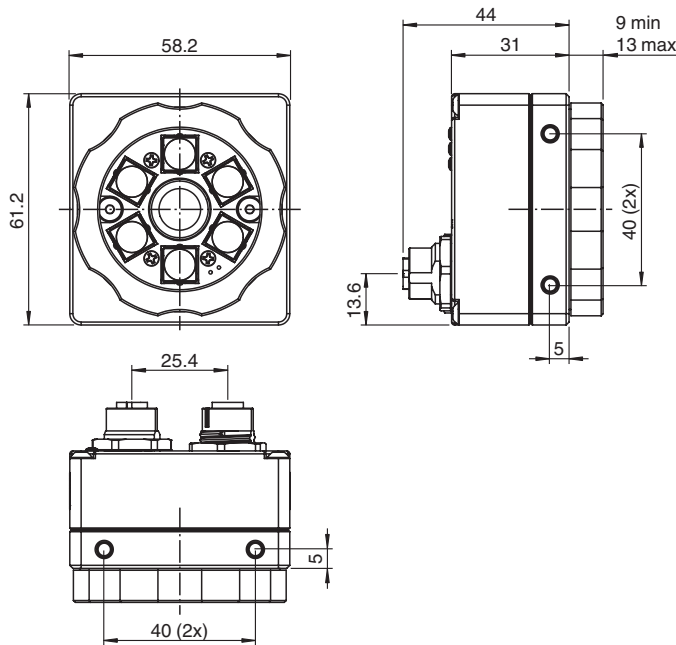
## VOS2000-F226R-8MM-S

- Wide range of detection tools for flexible inspection tasks
- Combinable vision tools for feature detection, completeness checking, code reading, text recognition and object position checking
- 32 Jobs on-board can be saved
- Integrated illumination
- Mechanical focus adjustment
- Easy integration with flexible programmable data output

Vision sensor for advanced object detection; Resolution: 1280 x 960 pixels; Light source: integrated LED flash, red; Lens: M12 lens; Focal length: 8 mm



### Dimensions



### Technical Data

#### General specifications

Light source	Integrated LED lightning , red
Picture detail	dependant of operating distance (see manual)
Trigger mode	Free-running or triggered externally
Depth of focus	± 5 % of the operating distance
Focal length	8 mm
Resolution	1280 x 960 pixels
Image sensor	1/3" CMOS monochrom Global Shutter 3.75 µm pixel size

Release date: 2022-04-28 Date of issue: 2022-04-28 Filename: 70111630\_eng.pdf

Refer to "General Notes Relating to Pepperl+Fuchs Product Information".

Pepperl+Fuchs Group  
www.pepperl-fuchs.com

USA: +1 330 486 0001  
fa-info@us.pepperl-fuchs.com

Germany: +49 621 776 1111  
fa-info@de.pepperl-fuchs.com

Singapore: +65 6779 9091  
fa-info@sg.pepperl-fuchs.com

PEPPERL+FUCHS

## Technical Data

Lens		M12 integrated lens
<b>Parameterization/software</b>		
Parameter assignment		Parameterization via PC user interface VCT Tool
Evaluation procedure		
Positioning and Guidance		Based on Parts or product marks, up to four Locators to detect X,Y shift and rotation
Identification and Verification		OCR, 1-D and 2-D codes
Detection & Pattern Matching		Pixel-, contour- or edge count
Measuring		Distance, angle, circle size (after calibration)
<b>Indicators/operating means</b>		
LED 1		Steady blue: sensor started, not set up Steady green: job loaded, ready for execution Flashing green: job loaded and being executed, capture in progress Steady red: sensor fault
LED 2		Flashing blue: starting (duration approx. 20 seconds) Steady green: measurement successful (Pass) Steady blue: measurement borderline (Recycle) Steady red: measurement unsuccessful (Fail)
LED 3		Steady blue: warm reset or restart Steady red/green/yellow: network activity
Focus setting		Focus adjustable via centering
<b>Electrical specifications</b>		
Operating voltage	$U_B$	12 ... 30 V DC
No-load supply current	$I_0$	300 mA
<b>Interface</b>		
Interface type		Ethernet 100 Mbit/s , RS 232 , PROFINET , Ethernet TCP/IP , EtherNet/IP , MODBUS
<b>Input</b>		
Input type		optically decoupled Inputs
Input voltage		Logic low (OFF): 0 ... 3 V Logic high (ON): 11 ... 30 V Switching threshold: 12 V
Control input		Image capture trigger + 2 general purpose inputs 2 inputs can be used for job switching
Input current		8 mA ( typical )
Internal protection circuit		3 k $\Omega$ / 4000 V ( rms )
Switching delay		Switch-on time (ON): 20 $\mu$ s Switch-off time (OFF): 10 $\mu$ s Image capture trigger: 62 $\mu$ s (until image capture is triggered)
<b>Output</b>		
Output type		3 general purpose outputs , freely programmable , optically decoupled
Switching voltage		max. 30 V
Switching current		max. 100 mA each output
Switching delay		Switch-on time (ON): 150 $\mu$ s Switch-off time (OFF): 50 $\mu$ s
<b>Standard conformity</b>		
Emitted interference		EN 61000-6-4:2007+A1:2011
Noise immunity		EN 61000-6-2:2005
<b>Approvals and certificates</b>		
Approvals		CE
<b>Ambient conditions</b>		
Ambient temperature		0 ... 50 °C (32 ... 122 °F)
Storage temperature		-20 ... 60 °C (-4 ... 140 °F)
<b>Mechanical specifications</b>		
Housing length		61 mm
Housing width		58 mm
Housing height		57 mm
Degree of protection		IP67
Connection		8-pin M12 socket A-coded ; 12-pin M12 socket
Material		

Release date: 2022-04-28 Date of issue: 2022-04-28 Filename: 70111630\_eng.pdf

Refer to "General Notes Relating to Pepperl+Fuchs Product Information".

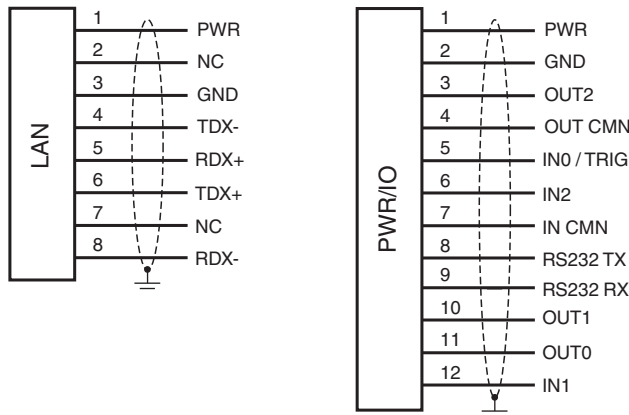
Pepperl+Fuchs Group  
www.pepperl-fuchs.comUSA: +1 330 486 0001  
fa-info@us.pepperl-fuchs.comGermany: +49 621 776 1111  
fa-info@de.pepperl-fuchs.comSingapore: +65 6779 9091  
fa-info@sg.pepperl-fuchs.com

**PEPPERL+FUCHS**

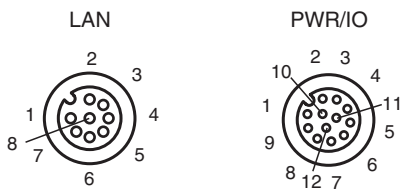
## Technical Data

Housing	anodized aluminum
Optical face	Plastic pane
Installation	Mounting bracket
Mass	approx. 200 g






## Connection Assignment



## Connection



## Accessories

	<b>V19S-G-GN5M-PUR-ABG-V45-G</b>	Ethernet bus cable M12 plug straight A-coded 8-pin to RJ45 plug straight 8-pin, PUR cable green, Cat6A, pairs shielded and overall shield, for connection of VOS cameras
	<b>V112S-G-BK5M-PUR-ABG</b>	Male cordset single-ended M12 straight A-coded, 12-pin, PUR cable black, shielded
	<b>V112-G-BK3M-PUR-ABG-V112-G</b>	Cordset M12 socket to M12 plug A-coded, 12-pin, PUR cable black, shielded
	<b>VOS-LE-COV-M12</b>	Protective cover
	<b>VOS-MH01</b>	Mounting aid for VOS sensors

Release date: 2022-04-28 Date of issue: 2022-04-28 Filename: 70111630\_eng.pdf