



## RFID Transponder

### IQC33-30 25pcs

- Operating frequency 13.56 MHz
- Conforms to ISO 15693
- 64 bit Fixcode
- 2000 bytes memory available
- Unlimited writeable
- Degree of protection IP68
- Readable and writable from both sides
- Mounting holes for simple installation

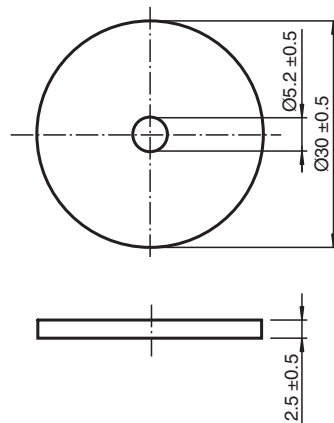
Data carrier



## Application

The transponder can be read and written from either side.

## Dimensions



## Technical Data

### General specifications

Operating frequency	13.56 MHz
Transfer rate	26 kBit/s

### Memory

Chip Type	FRAM MB89R118 (Fujitsu)
FRAM	16 kBit
UID	64 Bit
Memory organization	8 bytes/block
Read cycles	unlimited
Write cycles	unlimited
Data retention period	10 years

### Directive conformity

Radio equipment	
Directive 2014/53/EU	EN 300330

Release date: 2022-06-24 Date of issue: 2022-06-24 Filename: 288645\_eng.pdf

Refer to "General Notes Relating to Pepperl+Fuchs Product Information".

Pepperl+Fuchs Group  
www.pepperl-fuchs.com

USA: +1 330 486 0001  
fa-info@us.pepperl-fuchs.com

Germany: +49 621 776 1111  
fa-info@de.pepperl-fuchs.com

Singapore: +65 6779 9091  
fa-info@sg.pepperl-fuchs.com

PEPPERL+FUCHS

## Technical Data

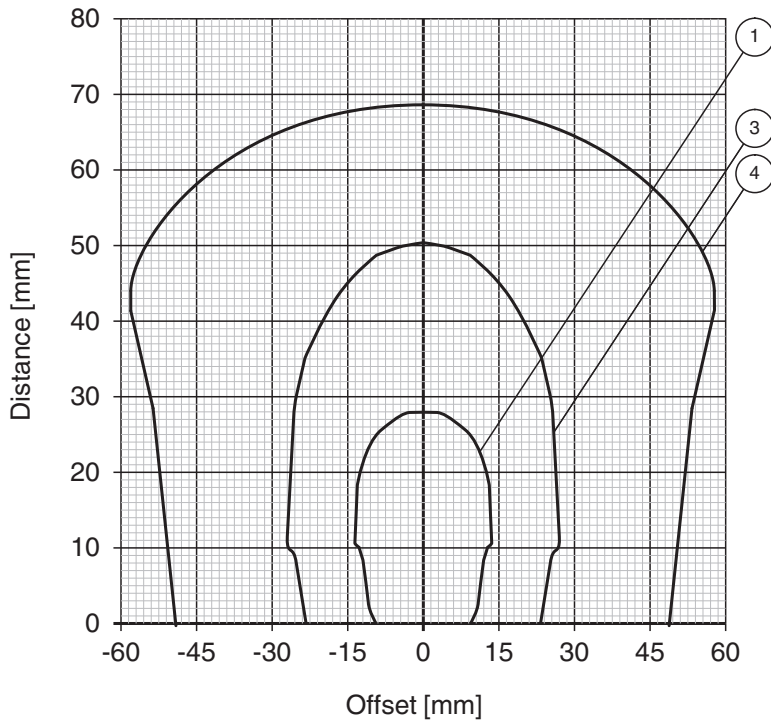
RoHS	
Directive 2011/65/EU (RoHS)	IEC/EN 63000
<b>Standard conformity</b>	
Degree of protection	EN 60529
RFID	ISO/IEC 15693-1 ISO/IEC 15693-2 ISO/IEC 15693-3 ISO/IEC 18000-3
<b>Ambient conditions</b>	
Ambient temperature	-40 ... 90 °C (-40 ... 194 °F)
Storage temperature	-40 ... 120 °C (-40 ... 248 °F) 120 °C (248 °F) for 72 hours
<b>Mechanical specifications</b>	
Housing height	2.5 mm
Housing diameter	30 mm
Degree of protection	IP68
Material	
Housing	PA 6
Installation	
In air	yes
Mass	3 g
Construction type	Cylindrical
Note	Packaging unit, 25-piece

## Mounting

High temperatures will cause the housing to expand.  
If the housing is assembled under mechanical stress, the resulting pressure may damage the tag.  
Install the tag loosely to allow for expansion due to high temperatures.



**Characteristic Curve**

Reading range in air IQC33-30



- ① IQH1-18GM-V1
- ② IQH1-F61-V1
- ③ IQH1-FP-V1
- ④ IQH1-F15-V1

**Accessories**

	<b>ICZ-MH30-10-T10</b>	Spacers for code/data carrier
	<b>ICZ-MH30-25-T10</b>	Spacers for code/data carrier

Release date: 2022-06-24 Date of issue: 2022-06-24 Filename: 288645\_eng.pdf

Refer to "General Notes Relating to Pepperl+Fuchs Product Information".