



**Model Number**

**OHV-F230-B17**

PROFINET Gateway for OHV handheld

**Features**

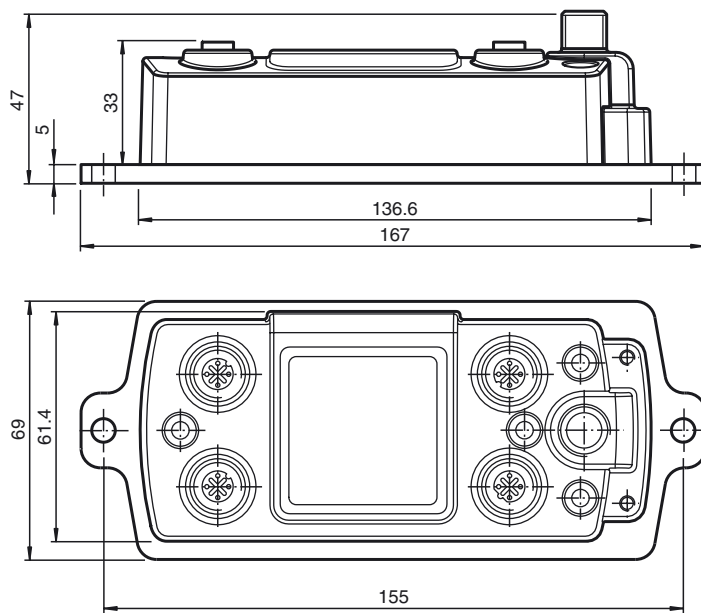
- PROFINET interface with integrated switch
- LED status indicator of power on, communication monitoring, inputs and outputs

**Accessories**

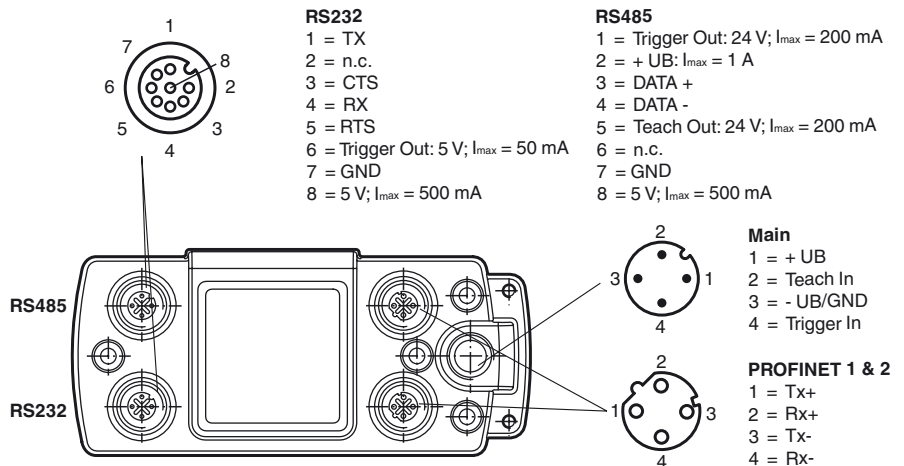
**V19S-G-1,7/3M-PVC-V50**

Adapter cable, M12 8-pin to RS 232

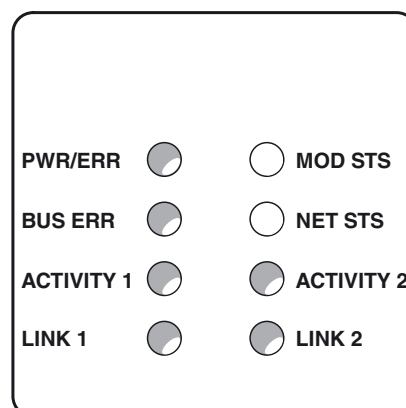
**Dimensions**



**Electrical connection**



**Indicating / Operating means**



Release date: 2017-05-02 16:25 Date of issue: 2017-05-23 289804-100000\_eng.xml

**Technical data****Functional safety related parameters**

MTTF <sub>d</sub>	110 a
Mission Time (T <sub>M</sub> )	55 a
Diagnostic Coverage (DC)	0 %

**Indicators/operating means**

LED green	LINK 1/LINK2: Port 1/2 connected
LED yellow	ACTIVITY 1/ACTIVITY 2: data at port 1/2
LED red	BUS ERR: Communication error
LED red/green	PWR/ERR: green: on; red: system error

**Electrical specifications**

Operating voltage	U <sub>B</sub>	10 ... 30 V DC PELV
Ripple		≤ 10 % at 30 V DC
Current consumption		≤ 1.1 A Inc. readers
Power consumption	P <sub>0</sub>	2.5 W Without readers

**Interface 3**

Interface type	2 x PROFINET IO with int. switch
Protocol	Conformance Class B Realtime class RT Min. cycle time 1 ms
Transfer rate	10/100 Mbps

**Ambient conditions**

Ambient temperature	-25 ... 60 °C (-13 ... 140 °F) , noncondensing
Storage temperature	-40 ... 85 °C (-40 ... 185 °F)

**Mechanical specifications**

Degree of protection	IP65
Connection	RS232/RS485: 2 x M12 connector, 8-pin, A-coded Power supply: M12 connector Protective earth: M4 earthing screw Ethernet: M12 connection, 4-pin, D-coded
Material	
Housing	powder coated aluminum
Installation	screw fixing : 6 mm
Mass	approx. 400 g