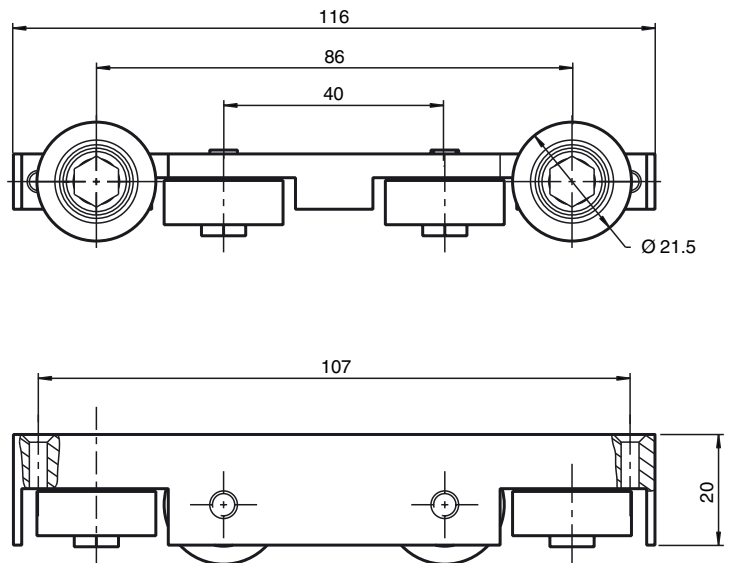




Dimensions



Model number

WCS2-GT-WD-M1

Guide bar with metal guide rollers, aluminum profile system WCS2

Features

- Ensures the optimum alignment of reading head and code rail
- Metal rollers

Technical data

Mechanical specifications

Material	galvanized steel metal rollers
Mass	256 g

Release date: 2012-09-27 10:34 Date of issue: 2012-10-18 185187_eng.xml