



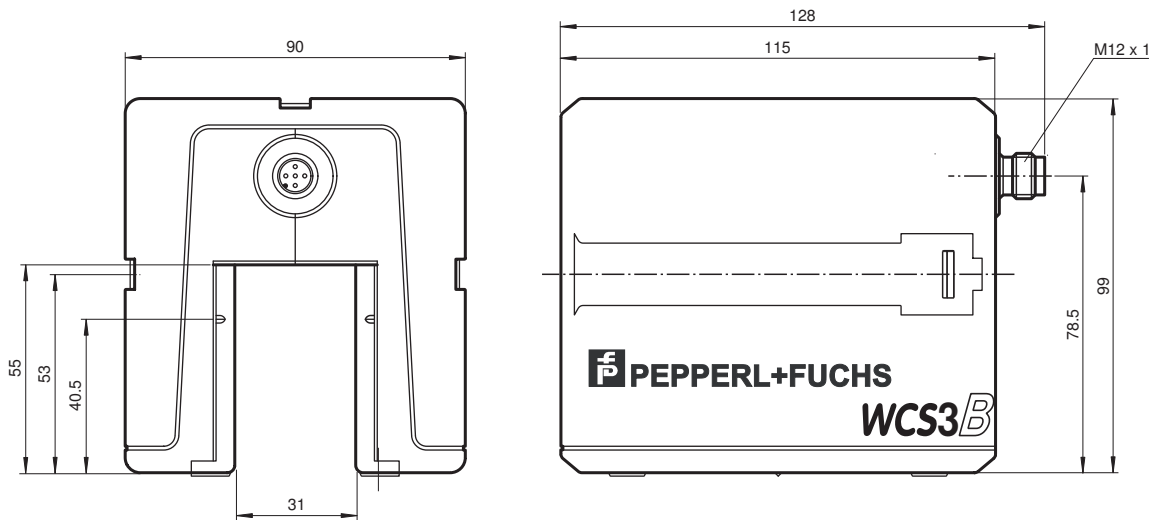
Read head WCS3B-LS211H

- RS-485 interface
- Non-contact, absolute position encoder
- Automatic detection of dirt accumulation
- Extended temperature range

Read head, RS-485 interface, with RS-485 termination resistor



Dimensions



Release date: 2022-03-10 Date of issue: 2022-03-10 Filename: 199290-0008_eng.pdf

Refer to "General Notes Relating to Pepperl+Fuchs Product Information".

Pepperl+Fuchs Group
www.pepperl-fuchs.com

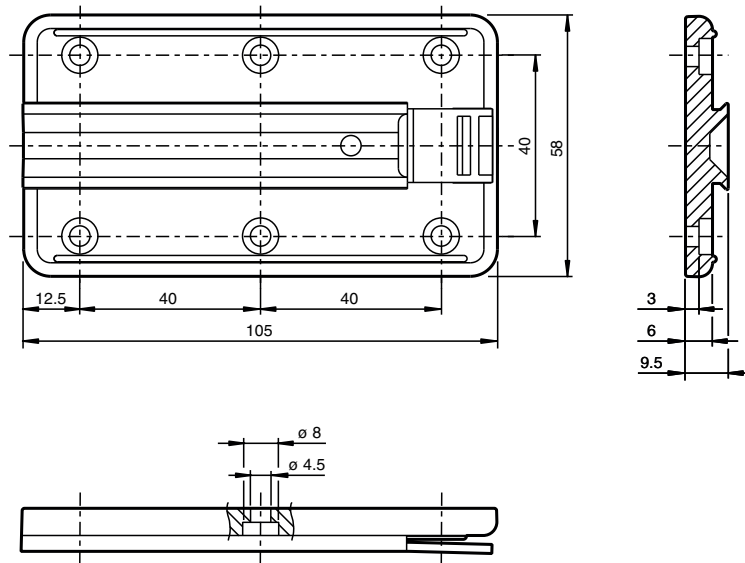
USA: +1 330 486 0001
fa-info@us.pepperl-fuchs.com

Germany: +49 621 776 1111
fa-info@de.pepperl-fuchs.com

Singapore: +65 6779 9091
fa-info@sg.pepperl-fuchs.com

PEPPERL+FUCHS

Dimensions



Technical Data

General specifications

| | | |
|------------------------------|---|--|
| Passage speed | v | ≤ 12.5 m/s |
| Measuring range | | max. 314.5 m |
| Free tolerances to code rail | | horizontal: 31 mm (± 15.5 mm) vertical: 28 mm (± 14 mm) |
| Resolution | | ± 0.4 mm (1,250 positions/m) |

Functional safety related parameters

| | | |
|--------------------------------|--|------|
| MTTF _d | | 82 a |
| Mission Time (T _M) | | 10 a |
| Diagnostic Coverage (DC) | | 0 % |

Indicators/operating means

| | | |
|---------------------|--|--|
| Operation indicator | | LED green: power on |
| Data flow indicator | | LED yellow: data communication active |
| Error indicator | | LED red flashing: read head outside of code rail solid on: internal diagnostic test failed |

Electrical specifications

| | | |
|-------------------|----------------|------------------|
| Operating voltage | U _B | 10 ... 30 V DC |
| Power consumption | P ₀ | 11 VA at 24 V DC |

Interface

| | | |
|------------------|--|-------------------------|
| Interface type | | RS 485 interface |
| Data output code | | binary code |
| Protocol | | 1, 2 |
| Transfer rate | | 187.5 kBit/s |
| Address | | 0 |
| Termination | | with RS 485 termination |

Standard conformity

| | | |
|----------------------|--|--|
| Emitted interference | | DIN EN 61000-6-4, DIN EN 12015 |
| Noise immunity | | DIN EN 61000-6-2, DIN EN 12016 |
| Shock resistance | | DIN EN 60068-2-27, half sine 30 g, 18 ms |

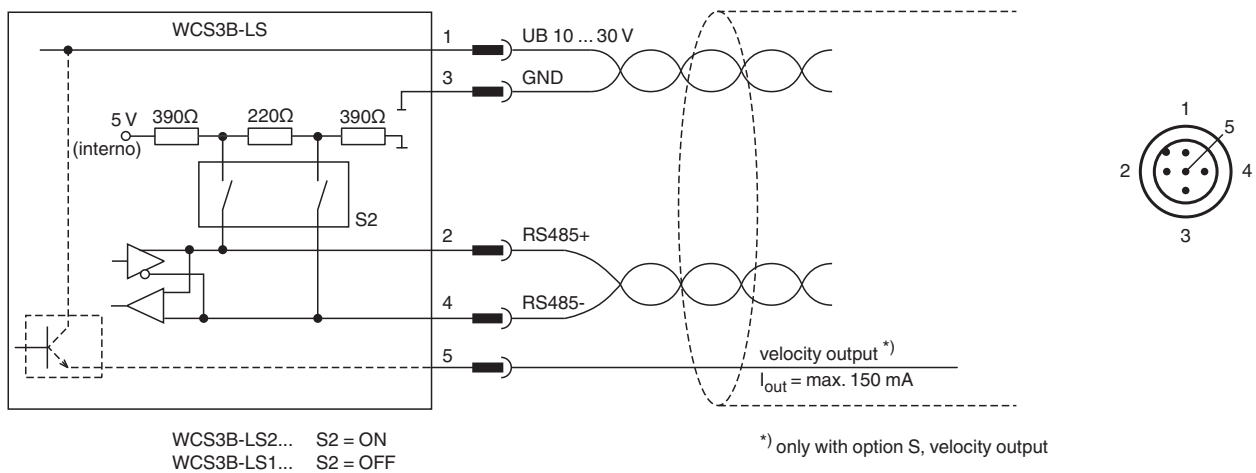
Release date: 2022-03-10 Date of issue: 2022-03-10 Filename: 199290-0008_eng.pdf

Refer to "General Notes Relating to Pepperl+Fuchs Product Information".

Technical Data

| | |
|-----------------------------------|--|
| Vibration resistance | DIN EN 60068-2-6, sine, 5 g, 10 - 2000 Hz, 10 cycles |
| Approvals and certificates | |
| CSA approval | cCSAus Certified, General Purpose Class 2 power source |
| CCC approval | CCC approval / marking not required for products rated ≤36 V |
| Ambient conditions | |
| Operating temperature | -40 ... 60 °C (-40 ... 140 °F) |
| Storage temperature | -40 ... 85 °C (-40 ... 185 °F) |
| Relative humidity | 90 % , noncondensing |
| Mechanical specifications | |
| Connection type | 5-pin, M12 x 1 connector |
| Degree of protection | IP54 |
| Material | |
| Housing | ABS , PC (Polycarbonate) |
| Mass | 500 g |
| General information | |
| Ordering information | Mounting plate included with delivery |

Connection



Accessories

| | | |
|--|------------------|---|
| | WCS3B-PL2 | Transparent protective case and seal for WCS3B reader |
| | WCS-MP1 | Mounting plate for reading heads WCS2 and WCS3 |

Release date: 2022-03-10 Date of issue: 2022-03-10 Filename: 199290-0008_eng.pdf

Refer to "General Notes Relating to Pepperl+Fuchs Product Information".