



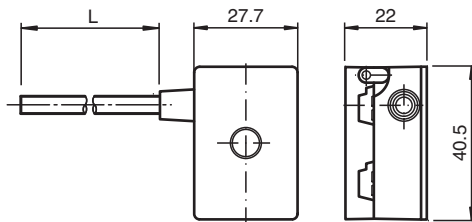
AS-Interface splitter box VAZ-T1-FK-G10-5M-PUR

- One piece housing
- Simple and fast mounting
- Gold-plated and machined contacts
- Oil and abrasion resistant PUR line appropriate for drag chains
- Immunity to vibration
- Degree of protection IP68 / IP69K
- Halogen-free

G10 junction block, AS-Interface to open cable end



Dimensions



Technical Data

| General specifications | |
|--|---|
| Construction type | Open cable end AS-Interface flat cable terminals |
| UL File Number | E223772 "For use in NFPA 79 Applications only" |
| Electrical specifications | |
| Rated operating voltage | $U_e \leq 32$ V PELV (AS-Interface) |
| Rated operating current | $I_e \leq 4$ A |
| Protection class | III |
| Surge protection | overvoltage category III |
| Compliance with standards and directives | |
| Standard conformity | |
| Degree of protection | EN 60529:2000 |
| Approvals and certificates | |
| UL approval | cULus Listed, Type 1 enclosure |
| Maximum permissible operating current | max. 3 A |
| Maximum permissible ambient temperature | max. 55 °C (max. 131 °F) |
| Ambient conditions | |
| Ambient temperature | -25 ... 75 °C (-13 ... 167 °F) |

Release date: 2021-09-17 Date of issue: 2021-09-17 Filename: 301174_eng.pdf

Refer to "General Notes Relating to Pepperl+Fuchs Product Information".

Pepperl+Fuchs Group
www.pepperl-fuchs.com

USA: +1 330 486 0001
fa-info@us.pepperl-fuchs.com

Germany: +49 621 776 1111
fa-info@de.pepperl-fuchs.com

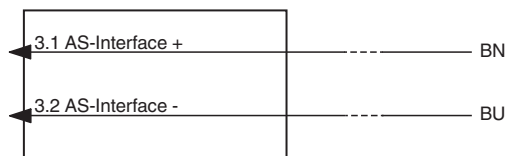
Singapore: +65 6779 9091
fa-info@sg.pepperl-fuchs.com

PF PEPPERL+FUCHS

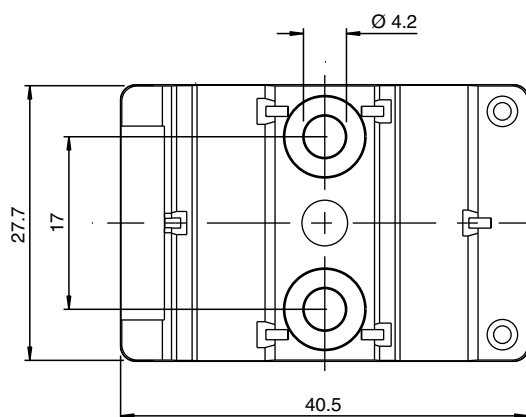
Technical Data

| | | |
|-------------------------------------|---|-----|
| Storage temperature | -25 ... 85 °C (-13 ... 185 °F) | |
| Pollution degree | 3 | |
| Mechanical specifications | | |
| Degree of protection | IP67 IP67 / IP68 / IP69K with flat cable VAZ-FK-S* | |
| Connection | Flat cable AS-Interface: cable piercing method Round cable | |
| Material | | |
| Contacts | CuSn / Au | |
| Housing | PBT PC | |
| Cable | PUR | |
| Mounting screw | Stainless steel 1.4305 / AISI 303 | |
| Cable | | |
| Sheath diameter | Ø4,3 mm | |
| Color | black | |
| Cores | 2 x 0.5 mm ² | |
| Length | L | 5 m |
| Mass | 100 g | |
| Tightening torque, fastening screws | 1.65 Nm | |
| Note | The unused flat cable connector is closed with a seal. | |

Connection



Mounting



You may screw the device onto a level mounting surface using two M4 attachment screws. The attachment screws are not included.