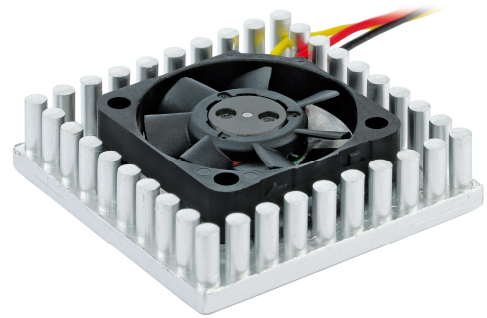
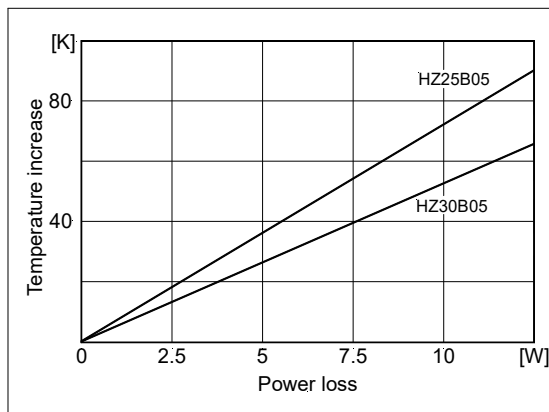


## HZ Serie

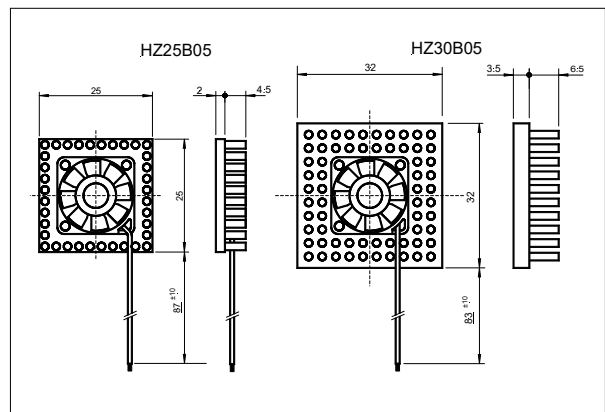
### PIN COOLER



#### COOLING PERFORMANCE



#### SHAPE AND DIMENSION

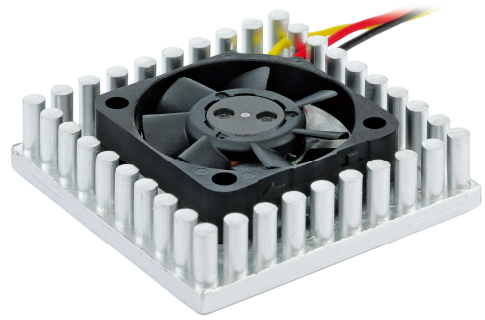


## PERFORMANCE

CE	HZ25B05	HZ25B05A	HZ30B05	HZ30B05A
Operating voltage [VDC]	4.5 ... 5 ... 5.5			
Typ. Operating current [mA]	60			
Max. start current [mA]	130		70	
Typ. Thermal resistance [K/W]	8.9		5.5	
Typ. noise (1m distance from air intake side) [dB(A)]	11			
Typ. rotor speed [min <sup>-1</sup> ]	11200			
FG (...A) [Imp/U]	-	3	-	3
Operating temperature [°C]	-10 ... +80			
Life expectancy L10/MTBF@ 40°C [h]	40000/210000			
Bearing system	MagFix® Sleeve bearing			
Weight [g]	7		18	
Standard packing quantity [Pcs.]	50-100-500			

Technical changes without notice • 2019.12.15

## HZ Serie PIN COOLER



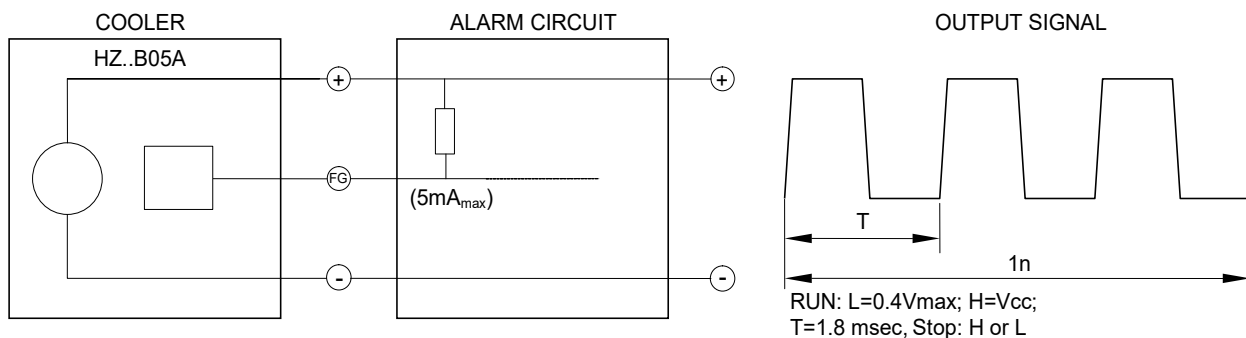
### • ALARM SIGNAL

The SEPA® fans HZ..B05A have a FG output, with which monitors the correct function of the fan.

The FG output provides a square-like signal whose frequency is three times the rotor speed. If the rotor is locked, the output signal L ( $\leq 0.4V$ ) or H (Vcc) appears.

**IMPORTANT:** The FG output is not protected against short circuit and must not be wired to GND or VCC without a resistor. A pull-up resistor is not necessary. Leave unused speedometer output (isolate).

The fans HZ..B05. have tinned strand ends (without plug). Never touch the rotor, observe the handling instructions!



### • ACCESSORIES:

Connector: on request  
 Assembly: TCT25 – TCT35, thermal conductive adhesive foil

### • Order information (Delivery time on request)

HZ25B05	SEPA® Chip-Cooler, 25x25x6.5mm, 5VDC, MagFix® Sleeve bearings, CE	112531000
HZ25B05A	SEPA® Chip-Cooler, 25x25x6.5mm, 5VDC, MagFix® Sleeve bearings, FG, CE	112531010
HZ30B05	SEPA® Chip-Cooler, 32x32x10mm, 5VDC, MagFix® Sleeve bearings, CE	113231000
HZ30B05A	SEPA® Chip-Cooler, 32x32x10mm, 5VDC, MagFix® Sleeve bearings, FG, CE	113231010

SEPA® is the brand name for fans and coolers, made by Nippon Keiki Works LTD., Tokyo