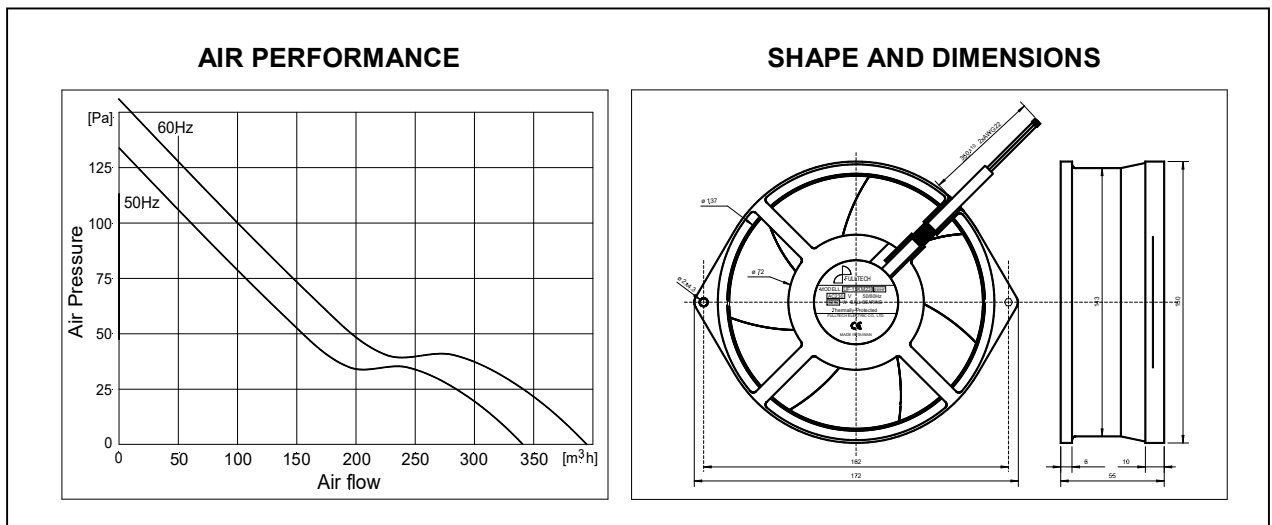


UF15KM Series

HIGH PERFORMANCE AC FAN



PERFORMANCE

CE	UF15KM12-H [60Hz]	UF15KM23-H [50Hz]
Operating voltage [VAC]	103 ... 115 ... 127	207 ... 230 ... 253
Typ. power input [W]	42	43
Max. air flow [m ³ /h]	391	332
Max. pressure [Pa-mmH ² O]	157 – 16.0	137 – 14.0
Typ. noise (1m dist. from air intake) [dB(A)]	53	49
Typ. rotor speed [min ⁻¹]	3250	2800
Direction of rotation	CW	
Direction of air flow	Over struts	
Operating temperature [°C]	-40 ... +70	
Life expectancy L10/MTBF@ 40°C [h]	50000/400000	
Bearing system	2 ball bearings ZZ	
Weight [g]	1100	
Packing unit [PCs.]	20	

This rugged **FULLTECH**[®] all-metal fan is suitable for industrial application and has a remarkable air flow performance despite its very small dimensions. It is permanently electrically protected against rotor blocking and thermal overloading. Due to the low rotor weight and the precision balancing, it has very low vibration and is insensitive to shock.

FULLTECH[®] is the brand name for fans and CPU-cooler, made by Fulltech Electric Co Ltd., TW

Technische Änderungen vorbehalten • 03/19